



# Pressure Gauge & Transmitter For Sanitary

## OUTLINE

This is a local indicator with a pressure transmitter appropriately designed for the job site including food, cosmetics and medical supplies, where sanitary consideration is required.

## FEATURES

- The case for this indicator is made of stainless steel, giving an impression of being clean.
- As the construction is waterproof, complying with IP65, cleaning with water is possible and a water film can easily be removed.
- As the liquid contacting portion is made of stainless steel, this indicator demonstrates excellent corrosion resistance.
- Application including warning and watching has become possible by equipping with an transmitter output .

## SPECIFICATION 1

### Fluid:

Gas or liquid

### Operating condition:

Under the normal condition, where there is no inflammable gas or liquid which cause the ignition or explosion.

### Mounting:

Stem •••• Type A, Type A with radiation fin

### Size:

100 DIA.

### Connection type:

Ferrule type, Nut type, Male type, Union type

### Size:

1 1/2S, 2S, G1 1/2B (Union type only)

### Wetted parts material:

Diaphragm 316Lst.st.

Socket 316 st.st. or 316L st.st.

### Pressure range:

0 ~ 0.3MPa → 0 ~ 1.0MPa (0 ~ 3 → 0 ~ 10kgf/cm<sup>2</sup>)

### Operating temperature:

Ambient -5 ~ 40°C

Wetted parts -5 ~ 100°C (With radiation fin -5 ~ 135°C)

### Allowable temperature limit:

Ambient -5 ~ 60°C

Wetted parts -5 ~ 150°C

### Indication accuracy:

±1.5%F.S.

### Temperature coefficient:

Ambient ±0.2%F.S./deg or less

Wetted parts ±0.1%F.S./deg or less

### Transmitter:

Accuracy ±1.0%F.S. or ±1.5%F.S.

Zero temperature drift

±0.1%F.S. or ±0.15%F.S.

Span temperature drift

±0.1%F.S. or ±0.15%F.S.

(Depending on range)

### Power source:

24V DC ±10%

### Output:

4 ~ 20mA DC

### Load resistance:

500Ω max.

### Transmission system:

2 wire system

### Filled liquid:

Propylene glycol

### Case material:

304 st.st.

### Construction:

Water-proof type (Equivalent to IP65)

### Weight:

Approx. 3kg (With radiation fin Nut type)

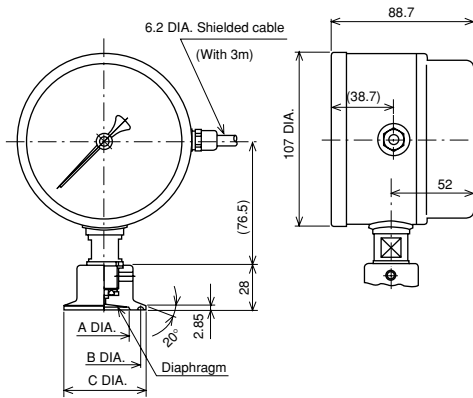
## SPESIFUCATION 2

Transmitter accuracy:

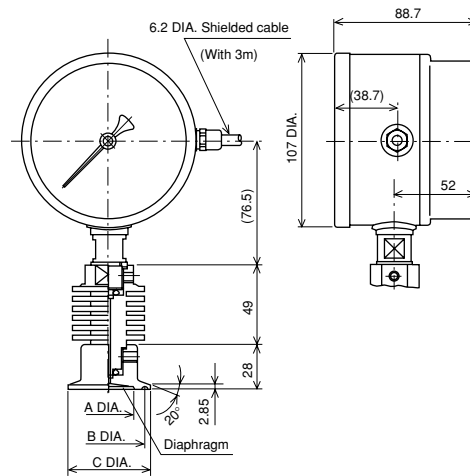
Pressure range	0 ~ 1MPa	0 ~ 0.5MPa	0 ~ 0.3MPa
Accuracy	±1.0%F.S.	±1.5%F.S.	±1.5%F.S.
Zero temperature drift	±0.1%F.S.	±0.15%F.S.	±0.15%F.S.
Span temperature drift	±0.1%F.S.	±0.15%F.S.	±0.15%F.S.

## DIMENSIONS

100 DIA. Type A



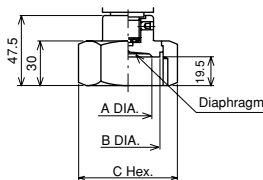
100 DIA. Type A with radiation fin



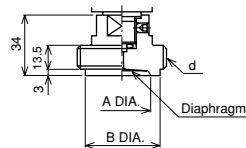
Ferrule type

	A	B	C
1S	32	43.5	50.5
1 1/2S	32	43.5	50.5
2S	47	56.5	64

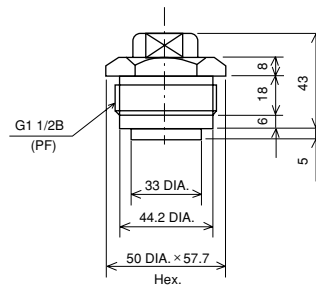
\* Index is same as ferrule type.



Nut type



Male type

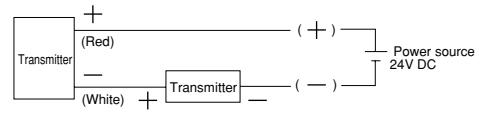
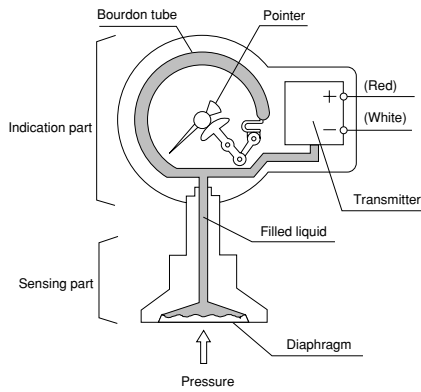


Union type

Nut type, Male type

	A	B	C (Nut type only)
1 1/2S	32	42.7	56 x 64.7 Hex.
2S	47	56.2	71 x 82 Hex.

# WIRING • STRUCTURAL DRAWING



## Type No. constitution

Please specify Type No., each specification and range when ordering.

Note: For this Model, there is no applicable item for the figures X, but please specify X when ordering.

S	U	8	1	100 DIA. Type A
S	U	8	3	100 DIA. Type A With radiation fin

Pressure gauge & transmitter

**S U 8**

Type No.

1 Connection type

- 1 Ferrule type
- 2 Nut type
- 3 Male type
- 4 Union type

2 Size (Connection)

- 3 1 1/2 S or
- 4 G1 1/2 B (Union type only)
- 4 2S

3 Wetted parts material

- 3 316 st.st.
  - 4 316L st.st.
  - 5 316 st.st. Buff finished\*
  - 6 316L st.st. Buff finished\*
- \* Union type is not available

Selection spec.

4

5

6

7

1

1

1

1

1

1

1

1

1

1

1

1

1

1

1

1

1

1

1

1

1

1

1

1

1

1

1

1

1

1

1

1

1

1

1

1

1

Additional spec. (Option)

8

9

10

11

12

13

14

15

X

X

X

X

X

X

X

X

X

X

X

X

X

X

X

X

X

X

X

X

X

X

X

X

X

X

X

X

X

X

X

X

X

7 Output

- 1 4 ~ 20mA DC

6 Power source

- 1 24V DC±10%

5 Document

- 7 ±1.5%F.S.

4 Pressure range (MPa)

(When ordering, please specify pressure range & unit.)

- 1 0 ~ 0.3
- 2 0 ~ 0.5
- 3 0 ~ 1.0

15 Document

- 0 Nil
- 1 Please specify your requirement  
Drawing one sheet, Instruction manual,  
Inspection procedure, Mill sheet,  
Test report