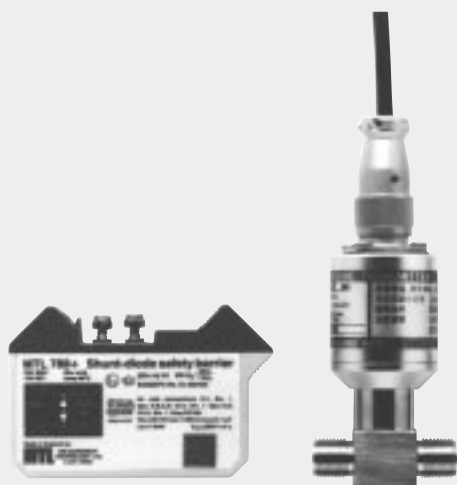


For Semiconductor industry

KJ95 Intrinsic Safety

Construction Pressure Transmitter



OUTLINE

This is an intrinsic safety and explosion-proof construction pressure transmitter for semiconductor industry which is, in combination with a safety barrier, capable of installing in an area of zone 0 where explosive gas always exists.

As paying enough attention for maintaining cleanliness and equipping excellent hermetic properties and safety, application to gas of a high degree of purity is appropriate.

FEATURES

- Application to an area of zone 0 where explosive gas always exists to zone 1 and zone 2 is possible.
- As an evaporation type semiconductor strain gauge is installed in the pressure sensing portion, excellent durability and stability are demonstrated and a dead zone becomes extremely small.
- A device to suppress particle occurrence and stagnation has been incorporated. Parts treated with a ultraclean (UC) treatment have been assembled and adjusted in a super clean room (class 10).
- By adopting hybrid IC, high electrical reliability and high quality are demonstrated.

SPECIFICATION

Kind of explosion proof construction:
Intrinsically safety explosion-proof

Object gas or explosion of steam and ignitability:
3 a G 4

Fluid:
Various kinds of process gases

Operating condition:
Hazardous areas The details refer to explanation column of intrinsically safety explosion-proof

Configuration:
Type T  Type S 

Connection:
1/4", 3/8"
(UJR fitting, VCR fitting, JSK fitting, MCG fitting, CVC fitting)

Pressure sensor seal method:
Welding type

Gas contact parts:
Fitting 316Lst.st.
Pressure sensor Co-Ni Alloy
* For the fitting material, CRP treatment and the double vacuum melting materials are also available. Please contact us for further details.

Pressure range:
0 ~ 1 → 0 ~ 20MPa (0 ~ 10 → 0 ~ 200kgf/cm²)
-0.1 ~ 1 → -0.1 ~ 2MPa (-1 ~ 10 → -1 ~ 20kgf/cm²)

Max. allowable pressure:
200% of rated pressure

Operating temperature:
-10 ~ 60°C

Storage temperature:
-20 ~ 70°C

Accuracy:
±1.0%F.S. or ±0.5%F.S.

Temperature coefficient:
±0.1%F.S./°C (Zero) [Accuracy ±1.0%F.S.]
±0.1%F.S./°C (Span) [Accuracy ±1.0%F.S.]
or
±0.05%F.S./°C (Zero) [Accuracy ±0.5%F.S.]
±0.05%F.S./°C (Span) [Accuracy ±0.5%F.S.]

Power source:
24 ~ 26.4V DC

Output:
4 ~ 20mA DC

Load resistance:
275Ω max.

Transmission system:
2 wire system

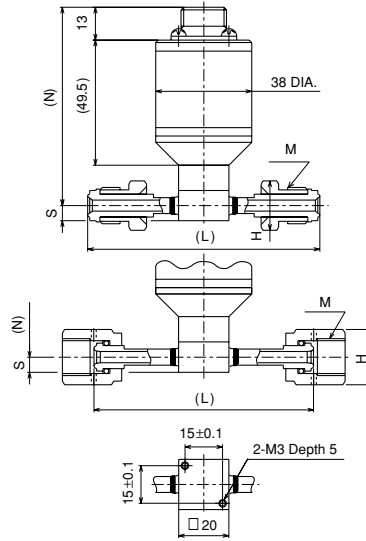
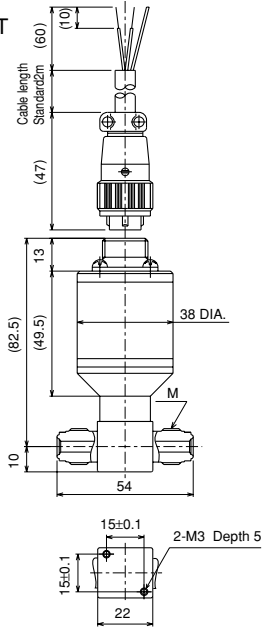
Surface treatment of gas contact parts:
Ultra-clean (UC) treatment
Based on the thorough quality control from the manufacturing to the shipment, we offer "the total clean system" especially our technology for surface treatment, welding and super cleaning is very much characterized and we are very much paying attention to such technology.

Leakage: (Helium leak rate)
5.07 × 10⁻¹² Pa • m³/s or less (5 × 10⁻¹¹ atm • cc/s or less)

Particle:
Zero count for size 0.1μm or greater (In our inspection standard)

DIMENSIONS 1

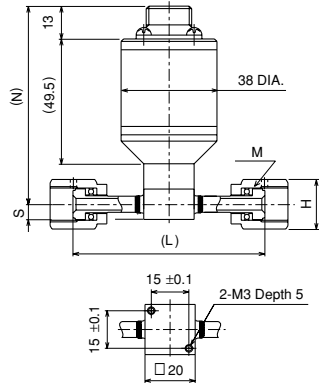
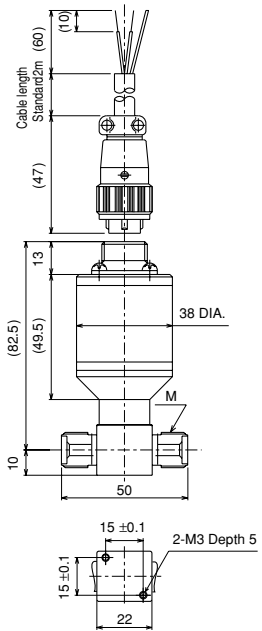
Type T



Model No.	Connection of fitting	Piping DIA.	Size M
KJ95-136	Compatible with VCR Male	1/4"	9/16-18UNF

Model No.	Connection of fitting	Piping DIA.	Size M	Dimensions			
				N	S	H	L
KJ95-1E6	Male nut *1 (TOM JOINT)	1/4"	9/16-18UNF	78.5	6	16×18.5 Hex.	90
KJ95-1F6		3/8"	7/8-14UNF	84	7	24×27.7 Hex.	95
KJ95-1G6	Female nut *1 (SUPER TOM JOINT)	1/4"	9/16-18UNF	78.5	6	19×21.9 Hex.	79
KJ95-1H6		3/8"	7/8-14UNF	84	7	27×31.2 Hex.	83
KJ95-1J6	VCR Male nut	1/4"	9/16-18UNF	78.5	6	16×18.5 Hex.	86
KJ95-1K6		3/8"	7/8-14UNF	84	7	24×27.7 Hex.	90.5
KJ95-1L6	VCR Female nut	1/4"	9/16-18UNF	78.5	6	19×21.9 Hex.	80.8
KJ95-1M6		3/8"	7/8-14UNF	84	7	27×31.2 Hex.	81.8
KJ95-1N6	UJR Male nut	1/4"	9/16-18UNF	78.5	6	17×19.6 Hex.	87
KJ95-1P6		3/8"	7/8-14UNF	84	7	23×26.6 Hex.	100
KJ95-1Q6	UJR Female nut (With pure ring)	1/4"	9/16-18UNF	78.5	6	19×21.9 Hex.	87
KJ95-1R6		3/8"	7/8-14UNF	84	7	26×30 Hex.	100

* 1 Compatible with VCR
* 2 Bearings are not included.

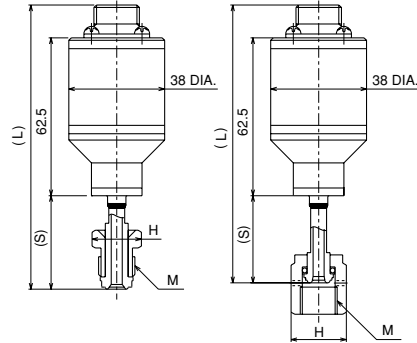
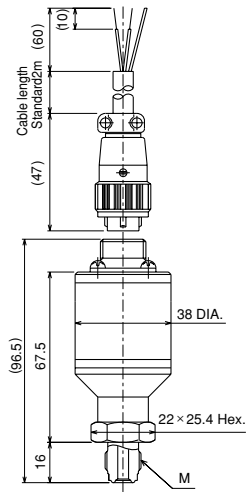


Model No.	Connection of fitting	Piping DIA.	Size M
KJ95-166	MCG Male	1/4"	M14×1.25
KJ95-176		3/8"	M18×1.5
KJ95-1A6	JSK Male	1/4"	M14×1.25
KJ95-1B6		3/8"	M18×1.5

Model No.	Connection of fitting	Piping DIA.	Size M	Dimensions			
				N	S	H	L
KJ95-186	MCG Female nut	1/4"	M14×1.25	78.5	6	17×19.6 Hex.	76
KJ95-196		3/8"	M18×1.5	84	7	22×25.4 Hex.	80
KJ95-1C6	JSK Female nut	1/4"	M14×1.25	78.5	6	17×19.6 Hex.	76
KJ95-1D6		3/8"	M18×1.5	84	7	22×25.4 Hex.	80

DIMENSIONS 2

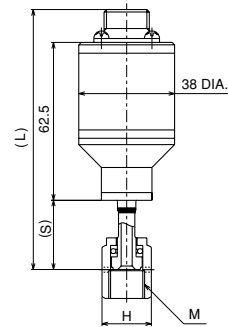
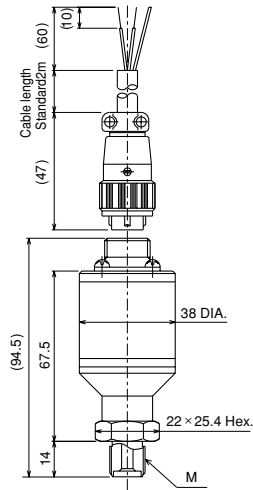
Type S



Model No.	Connection of fitting	Piping DIA.	Size M
KJ95-236	Compatible with VCR Male	1/4"	9/16-18UNF

Model No.	Connection of fitting	Piping DIA.	Size M	Dimensions		
				L	H	S
KJ95-2E6	Male nut (TOM JOINT) *1	1/4"	9/16-18UNF	106	16×18.5 Hex.	30.5
KJ95-2G6	Female nut (SUPER TOM JOINT) *1	1/4"	9/16-18UNF	106	19×21.9 Hex.	30.5
KJ95-2J6	VCR Male nut	1/4"	9/16-18UNF	106	16×18.5 Hex.	30.5
KJ95-2L6	VCR Female nut *2	1/4"	9/16-18UNF	106.9	19×21.9 Hex.	31.4
KJ95-2N6	UJR Male nut	1/4"	9/16-18UNF	112.5	17×19.6 Hex.	37
KJ95-2Q6	UJR Female nut (With pure ring)	1/4"	9/16-18UNF	110	19×21.9 Hex.	34.5

* 1 Compatible with VCR
* 2 Bearings are not included.



Model No.	Connection of fitting	Piping DIA.	Size M
KJ95-266	MCG Male	1/4"	M14×1.25
KJ95-2A6	JSK Male	1/4"	M14×1.25

Model No.	Connection of fitting	Piping DIA.	Size M	Dimensions		
				L	H	S
KJ95-286	MCG Female nut	1/4"	M14×1.25	102.9	17×19.6 Hex.	27.4
KJ95-2C6	JSK Female nut	1/4"	M14×1.25	104.5	17×19.6 Hex.	29

INTRINSICALLY SAFETY EXPLOSION-PROOF

The intrinsically safety explosion-proof class authorization:

Type name	Type approval number
KJ15-0 Transmitter KJ15 Safety barrier MTL788+	4 0 3 1 7

Intrinsically safe explosion-protected construction:

The intrinsically safe explosion-protection construction means a construction in which it is verified by the ignition test or others conducted by a public authority that any spark or high temperature part produced either normally or in a specific fault condition is incapable of igniting explosive gases.

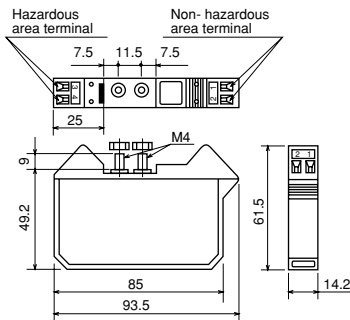
Hazardous areas:

Zone 0, zone 1 and zone 2

Classification of hazardous areas:

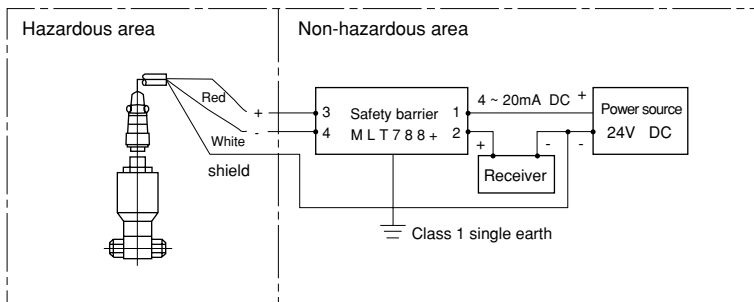
Hazardous area	Contents
Zone 0	A place where hazardous atmosphere is continuously present or present for a long period under ordinary circumstances.
Zone 1	A place where hazardous atmosphere is likely to occur under ordinary circumstances.
Zone 2	A place where hazardous atmosphere is likely to occur under abnormal circumstances.

Safety barrier dimensions:



When mounting clamp of safety barrier is necessary, please specify it.

WIRING



Type No. constitution

Please specify Type No., each specification and range, when ordering.

Note: For this Model, there is no applicable item for the figures X, but please specify X when ordering.

