

Model KH32 Differential Pressure Transmitter

OUTLINE

This is a job site transmitter attached with a differential pressure indicator which takes out the displacement of the pressure sensing portion or the bellows as an inductance variation, converts it into a signal in proportion with measuring differential pressure and transmits it.

FEATURES

- This differential pressure transmitter demonstrates excellent vibration resistance and environment-durable properties.
- The adjustment of zero point and span can be implemented from the front side of the case.
- The maintenance and checking of a circuit block inside the differential pressure transmitter can be simply performed by drawing it out to the front side as it is installed on job site.

SPECIFICATION 1

Fluid:

Gas or liquid

* In case of fluid, there is fear to occur an error of max.1.3kPa.

Operating condition:

Under the normal condition, where there is no inflammable gas or liquid which cause the ignition or explosion.

Mounting:

Panel mounting

Connection:

G1/2B (PF)

Wetted parts material:

Bellows 316Lst.st.

Socket SCS14

Pipe 316 st.st.

Differential pressure range:

0 ~ 20kPa → 0 ~ 1MPa (0 ~ 2000mmH₂O → 0 ~ 10kgf/cm²)

Operating pressure range:

0 ~ 1MPa (0 ~ 10kgf/cm²)

One side proof pressure:

Differential pressure range and same

Operating temperature:

0 ~ 60°C

Accuracy:

±2%F.S.

Indication accuracy:

±2%F.S.

Temperature coefficient:

±0.05%F.S./°C TYP. (Zero)

±0.05%F.S./°C TYP. (Span)

Outlet for electric wire:

Conduit type

PF1/2 female, PF3/4 female

Gland

JIS 15a, JIS 15b, JIS 15c, JIS 20a,

JIS 20b, JIS 20c

Case material • finishing:

Aluminium alloy die casting (ADC12) • Gray

Construction:

Splash-proof (IP54)

Weight:

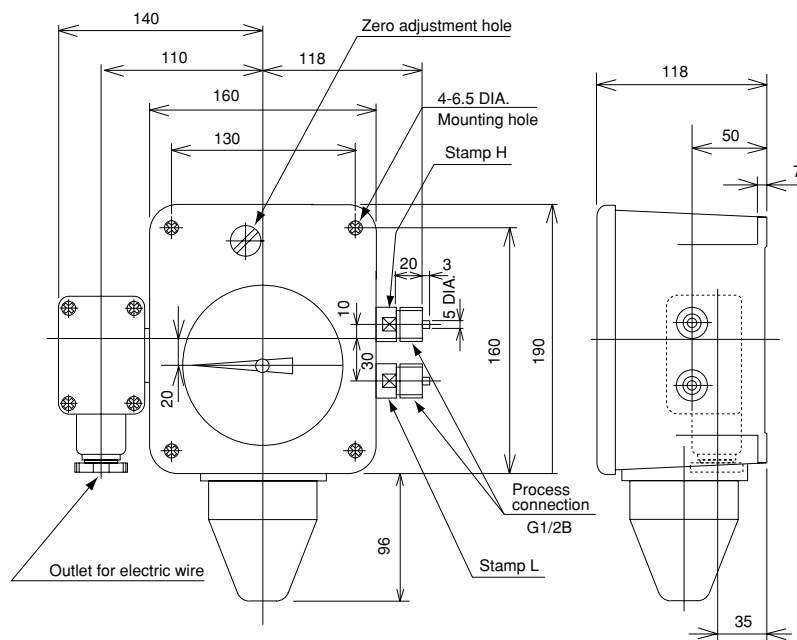
Approx. 5 kg

SPECIFICATION 2

Electric characteristics:

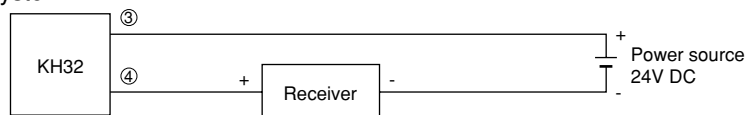
Power source	Output	Load resistance	Transmission system
24V DC \pm 10%	4 ~ 20mA DC	400 Ω max.	2 wire system
100V AC \pm 10%	Current output	0 ~ 5mA DC	4 wire system
		0 ~ 10mA DC	
		0 ~ 20mA DC	
110V AC \pm 10%	4 ~ 20mA DC	500 Ω max.	
200V AC \pm 10%	Voltage output	0 ~ 5mV DC	1k Ω min.
220V AC \pm 10%		0 ~ 10V DC	1M Ω min.

DIMENSIONS

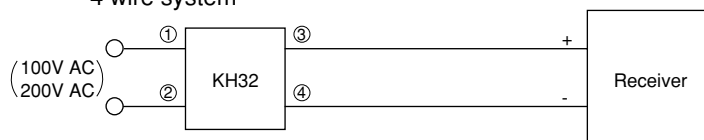


WIRING

2 wire system



4 wire system



Type No. constitution

Please specify Type No.,each spcification and range when ordering.

Note: For this Model,there is no applicable item for the figures X,but please specify X when ordering.

Differential pressure transmitter

K H 3 2 — 1 2 3 4 5 6 7 8 9 10 11 12 13 14 15

Selection spec.

Additional spec. (Option)

Type No.

1 Type

1	Panel mounting
---	----------------

2 Connection

4	G1/2B
---	-------

3 Wetted parts material

3	Bellows: 316Lst.st. Socket: SCS14 Pipe: 316st.st.
---	---

4 Differential pressure range
(When ordering,please specify pressure range & unit.)

1	0 ~ 20, 30, 40kPa
2	0 ~ 0.05, 0.1, 0.2, 0.3, 0.4, 0.6, 1MPa

5 Accuracy

8	±2%F.S.
---	---------

6 Power source

1	24V DC ±10% (2 wire system)
2	100V AC±10% (4 wire system)
3	110V AC±10% (4 wire system)
4	200V AC±10% (4 wire system)
5	220V AC±10% (4 wire system)

7 Output

1	4 ~ 20mA DC (2 • 4 wire system)
2	0 ~ 5mA DC (4 wire system)
3	0 ~ 10mA DC (4 wire system)
4	0 ~ 20mA DC (4 wire system)
7	0 ~ 10V DC (4 wire system)
H	0 ~ 5mV DC (4 wire system)

11 Other additional spec.

0	Nil
1	Please specify your requirement Case finishing

10 Treatment

0	Nil
1	Use no oil
2	Use no water
3	Use no oil & water

9 Outlet for electric wire
In case of conduit type

2	PF1 /2 female
3	PF3 /4 female

9 Outlet for electric wire
In case of gland

3	JIS 15a
4	JIS 15b
5	JIS 15c
6	JIS 20a
7	JIS 20b
8	JIS 20c

8 Type of outlet

1	Conduit type
2	Gland

15 Document

0	Nil
1	Please specify your requirement Drawing one sheet, Instruction manual, Inspection procedure, Mill sheet, Test report