



Model KH25 Pressure Transmitter (Flange Type)

OUTLINE

This is a micropressure transmitter appropriate for checking liquid levels in an open type tank, with low price, small type and light weight features. The liquid-contact surface of this pressure transmitter is of exposed and flange type. So, it is appropriate for checking liquid with high viscosity and including precipitates. This pressure transmitter can be exchanged with an installed flange type, liquid-filled type pressure transmitter.

FEATURE

- When compared with a liquid-filled type pressure transmitter, this pressure transmitter is smaller, lighter and cheaper.
- Because of without liquid charge, no temperature change in charged liquid affects this pressure transmitter.
- Connecting flanges can be selected from JIS10K50A, 65A and 80A, and its construction is compact.
- Checking ranges for the height range from 0.5 meters to 3 meters have been provided.

SPECIFICATION

Fluid:

Liquid, gas

* This transmitter is not for Sanitary application. Please avoid to use for food product line.

Operating condition:

Under the normal condition, where there is no inflammable gas or liquid which cause the ignition or explosion.

Type:

Flange type

Connection flange:

JIS10K 50A RF, JIS10K 65A RF, JIS10K 80A RF
JIS10K 50A FF, JIS10K 65A FF, JIS10K 80A FF

Wetted parts material:

Diaphragm 316st.st.
Flange 316st.st.
Packing Teflon

Pressure range:

0 ~ 5 → 0 ~ 30kPa (0 ~ 500 → 0 ~ 3000mmH₂O)

Max. allowable pressure:

150% of rated pressure

Operating temperature:

-20 ~ 60°C (But fluid should not be frozen)

Power source:

24V DC ±10%

Output:

4 ~ 20mA DC (2 wire system)

1 ~ 5V DC (3 wire system)

Load resistance:

500Ω max. (Current output)

10kΩ min. (Voltage output)

Transmission system:

2 or 3 wire system

Accuracy:

±1.0%F.S.

Temperature coefficient:

±0.05 % F.S. / °C below (Zero)

±0.05 % F.S. / °C below (Span)

Outlet for electric wire:

Gland JIS 15b

Case material-finishing :

Aluminium alloy casting (AC7A) • Gray

Construction:

Indoor use

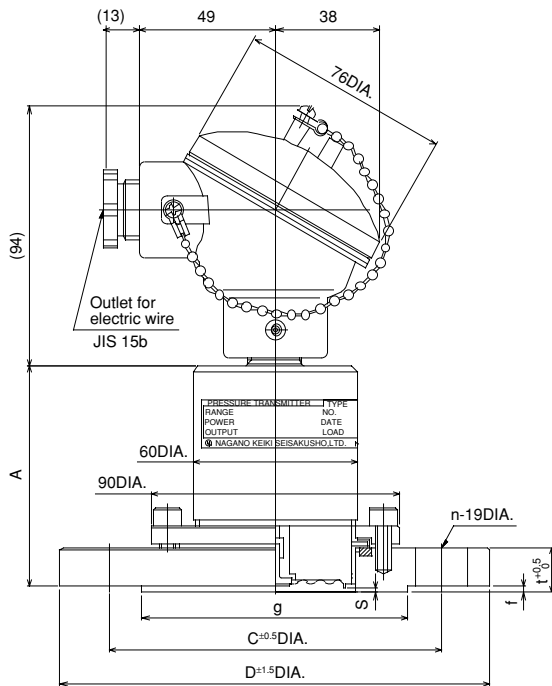
* When installed outdoor, please provide cover for preventing rain.

Weight:

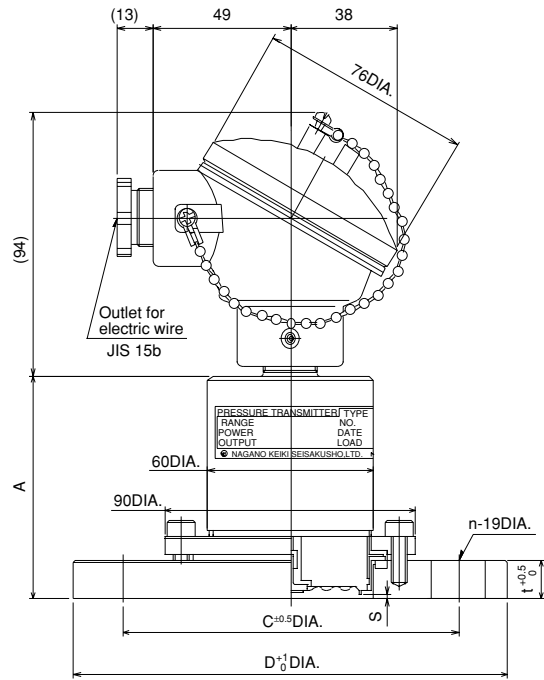
Approx. 3.2 kg (In case of JIS10K 50A)

DIMENSIONS

[RF Flange]



[FF Flange]



Type No.	Connection flange	A	D	t	f	g	C	n	s
KH25-A01	JIS 10K	50A RF (84)	155	16	2	96	120	4	(1.5)
KH25-A02		65A RF (86)	175	18	2	116	140	4	(3.5)
KH25-A03		80A RF (86)	185	18	2	126	150	8	(3.5)

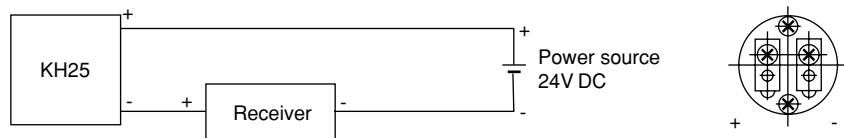
[KH25-A0]

Type No.	Connection flange	A	D	t	C	n	s
KH25-A11	JIS 10K	50A FF (84)	155	16	120	4	(1.5)
KH25-A12		65A FF (86)	175	18	140	4	(3.5)
KH25-A13		80A FF (86)	185	18	150	8	(3.5)

[KH25-A1]

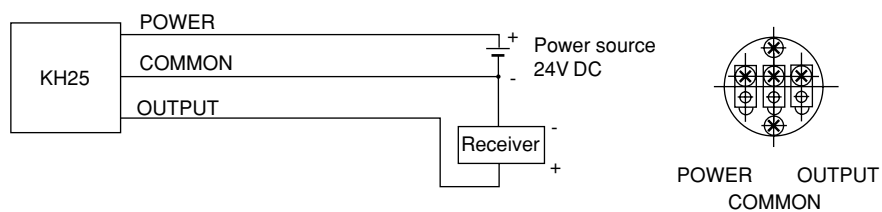
WIRING

2 wire system



In case of the voltage output,
I become 1-5 V when turn
resistance into 250Ω

3 wire system



Type No. constitution

Please specify Type No.,each specification and range, when ordering.

Note:For this Model,there is no applicable item for the figures X, but please specify X ordering.

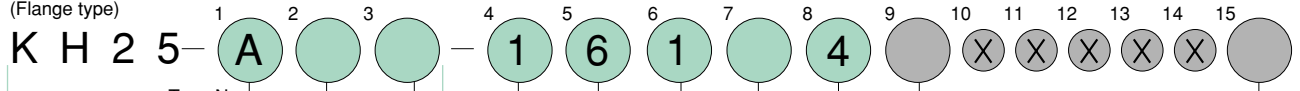
Pressure transmitter
(Flange type)

K H 2 5

Type No.

Selection spec.

Additional spec.(Option)



1 Type

A Flange type

2 3 Connection flange

01	JIS10K 50A RF
02	JIS10K 65A RF
03	JIS10K 80A RF
11	JIS10K 50A FF
12	JIS10K 65A FF
13	JIS10K 80A FF

4 Pressure range

(When ordering ,please specify pressure range & unit)

1 0~5, 10, 15, 20, 25, 30kPa

6 Power source

1 24V DC±10%

5 Accuracy

6 ±1.0%F.S.

9 Treatment

0	Nil
1	Use no oil
2	Use no water
3	Use no oil & water

8 Outlet for electric wire

4 JIS 15b

7 Output

1	4~20mA DC(2 wire system)
8	1~5V DC(3 wire system)

15 Document

0	Nil
1	Please specify your requirement Drawing one sheet,Instruction manual, Inspection procedure,Mill sheet, Test report