



Model KH16 Pressure Transmitter

OUTLINE

This is a precisely adjusted, high-precision pressure transmitter with a built-in temperature compensating circuit and a linear compensating circuit. This pressure transmitter is appropriate for measuring temperatures in the wider range with high precision.

FEATURE

- Effects of temperature fluctuation on the output performance is extremely decreased.
- This pressure transmitter demonstrates excellent durability and stability because a vacuum-evaporation-type semiconductor strain gauge is applied to the pressure sensing portion.
- This pressure transmitter demonstrates excellent vibration resistance and impact resistance because no moving portion exists.
- This pressure transmitter is appropriate for hydraulic and pneumatic machines, construction machines and vehicles because of its rigid construction.

SPECIFICATION

Fluid:

Gas or Liquid

Operating condition :

Under the normal condition, where there is no inflammable gas or liquid which cause the ignition or explosion.

Type:

DIN terminal box type

Cable type (With 2m shielded cable)

Connection:

G3/8B (PF), R1/4 (PT)

Wetted parts material:

Diaphragm 630st.st. (17-4PH st.st.)

Socket 304st.st.

Pressure range :

0 ~ 1→0 ~ 50MPa (0 ~ 10→0 ~ 500kgf/cm²)

Max.allowable pressure:

200% of rated pressure (150% for range 35,50MPa)

Temperature compensation:

0 ~ 70°C

Operating temperature:

-20 ~ 80°C

Storage temperature:

-40 ~ 90°C

Power source:

24V DC ±10%

Output:

4 ~ 20mA DC (2 wire system)

1 ~ 5V DC (3 wire system)

* Voltage output is available only for the range over 5MPa.

Load resistance:

500Ω max. (Current output)

10kΩ min. (Voltage output)

Transmission system:

2 or 3 wire system

Accuracy:

±0.3%F.S. (23°C±2°C)

±0.5%F.S. (In temperature compensation limit)

±1.0%F.S. (In operating temperature)

Response time:

About 1 m s

Construction:

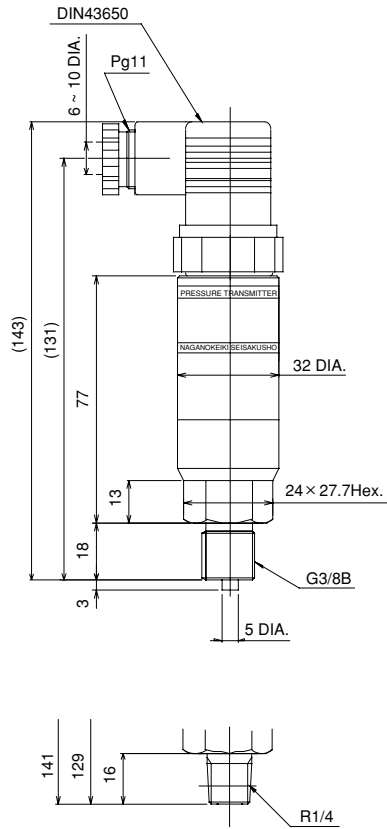
Jet-proof (IP55) (Except cable edge)

Weight:

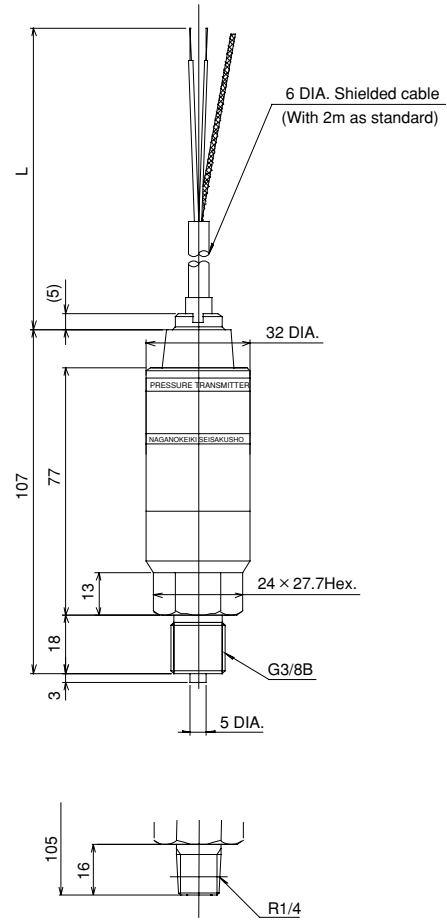
Approx. 300 g

DIMENSIONS

DIN terminal box type

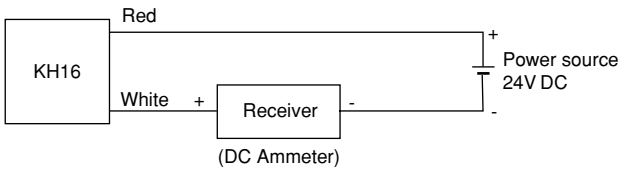


Cable type

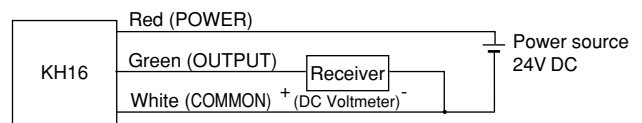


WIRING

2 wire system



3 wire system



Type No. constitution

Please specify Type No., each specification and range, when ordering.

Note: For this Model, there is no applicable item for the figures X, But please specify X when ordering.

Pressure transmitter

Selection spec.

Additional spec. (Option)

K H 1 6 — 1 2 3 4 — 5 6 7 — 8 9 10 11 12 13 14 15

Type No.

1 Type

| | |
|---|--|
| 2 | DIN terminal box type |
| 3 | Cable type (With 2m shielded cable) |

2 Connection

| | |
|---|-------|
| 3 | G3/8B |
| 7 | R1/4 |

3 Wetted parts material

| | |
|---|---|
| 4 | Diaphragm: 630st.st. (17 - 4PH st.st.) Socket: 304st.st. |
|---|---|

4 Pressure range (MPa)

(When ordering, please specify pressure range & unit.)

| | |
|---|-------------------------------------|
| 1 | 0 ~ 1, 2, 3.5 2 wire system only |
| 2 | 0 ~ 5, 10, 20, 35, 50 |

5 Accuracy

| | |
|---|---|
| 0 | ±0.3%F.S. (23±2°C) ±0.5%F.S. (In temperature compensation limit) ±1.0%F.S. (In operating temperature) |
|---|---|

6 Power source

| | |
|---|------------|
| 1 | 24V DC±10% |
|---|------------|

7 Output

| | |
|---|--|
| 1 | 4 ~ 20mA DC (2 wire system) |
| 8 | 1 ~ 5V DC (3 wire system 5MPa or over) |

8 Treatment

| | |
|---|--------------------|
| 0 | Nil |
| 1 | Use no oil |
| 2 | Use no water |
| 3 | Use no oil & water |

9 X

10 X

11 X

12 X

13 X

14 X

15 Document

| | |
|---|---|
| 0 | Nil |
| 1 | Please specify your requirement Drawing one sheet, Instruction manual, Inspection procedure, Mill sheet, Test report |