



# JD10 • JD15

## Pressure Gauge With Electric Contact

### OUTLINE

This gauge is appropriate for watch purposes at the job site. Remaining analogue display results in easy to read and psychological reliability. The switching portion, combined with small and high performance pressure sensor and relay contact, has enabled ON/OFF control with high precision.

### FEATURES

- By remaining analogue indication, line pressure and remaining pressure can be confirmed at the time of power failure.
- By simplified digital setting (4 digit LED), the setting of the activating point can be implemented with high precision and reliability.
- The semiconductor strain gauge, strain-generating portion and pressure connection portion are unified in construction, demonstrating excellent durability and stability.
- Various functions including loop checking and analogue output are mounted.

### SPECIFICATION 1

#### Fluid:

Gas or liquid

#### Operating condition:

Under the normal condition, where there is no inflammable gas or liquid which cause the ignition or explosion.

#### Analog indication part dia:

100 DIA.

#### Mounting:

Stem mounting (A type) or panel mounting (Mounting clump)  
\* Mounting bracket for surface mounting (B type) is provided as option.

#### Connection:

G3/8B (PF) or G1/2B (PF)

#### Wetted parts material:

Socket ..... SCS14 (Equivalent to 316 st.st.)  
Bourdon tube ..... 316st.st.  
Pressure sensor .... Co-Ni alloy

#### Pressure range:

0 ~ 0.2 → 0 ~ 50MPa (0 ~ 2 → 0 ~ 500kgf/cm<sup>2</sup>)  
-0.1 ~ 0.1 → -0.1 ~ 2MPa (-1 ~ 1 → -1 ~ 20kgf/cm<sup>2</sup>)

#### Power source:

24V DC ± 10%

#### Consumption current:

100mA or less

#### Comparator output:

Relay contact × 2 output  
(AC/DC combined use type 100V, 0.1A)  
Setting accuracy .... ±0.2% F.S.  
Temperature coefficient .... ±0.1% F.S./°C  
(Zero • Span)  
Response time .... Within 5ms

#### Analog output: (Option)

4 ~ 20 mA DC (Load resistance 400Ω or less) or  
1 ~ 5 V DC (Load resistance 10kΩ over)  
Output accuracy .... Within ± 1 % F.S.  
Response time .... Within 50ms

## SPECIFICATION 2

### Digital setting control part:

Pressure • set point display •••• 4 digit LED digital display  
(High letter: 8 mm)

Setting accuracy ••••  $\pm 1\% \text{F.S.} \pm 1 \text{ digit}$

Display • setting resolution ••••  $1 \cdot 2000 \text{ max.}$

Comparator action indication light •••• Red LED  $\times 2$  points

Setting transmission mode operating lamp •••• Orange LED

### Analog indication accuracy:

Within  $\pm 1.5\% \text{ F.S.}$

### Operating temperature:

$-10 \sim 50^\circ\text{C}$

### Operating humidity range:

$35 \sim 85\% \text{ RH}$  (But fluid should not be frozen)

### Storage temperature range:

$-20 \sim 60^\circ\text{C}$

### Outlet for electric wire:

Gland JIS 20b

### Case material:

Case Aluminum alloy die casting (ADC12)

Cover Poly-carbonate resin

### Case finishing:

Two-tone (Blue • gray)

### Construction

Stem mounting Drip-proof type (IP43)

Panel mounting Indoor use

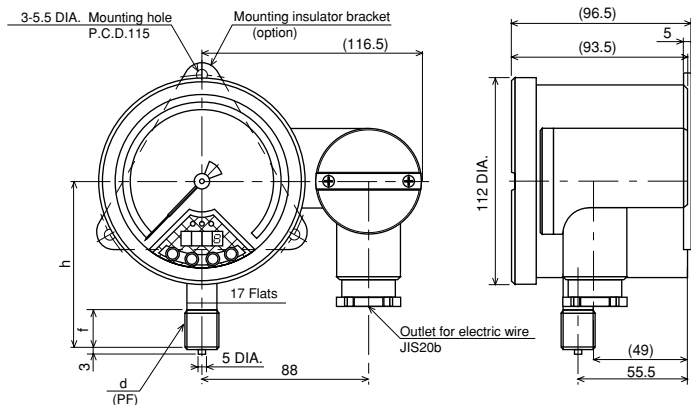
### Weight:

Approx. 1.2kg (Stem mounting),

Approx. 1.0kg (Panel mounting)

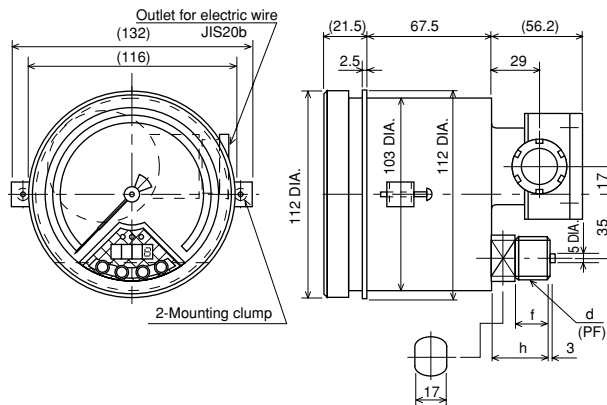
## DIMENSIONS

### 100 DIA. Stem mounting



Type No.	d	h	f
JD10-233	G3/8B	89	18
JD10-243	G1/2B	87	20

### 100 DIA. Panel mounting

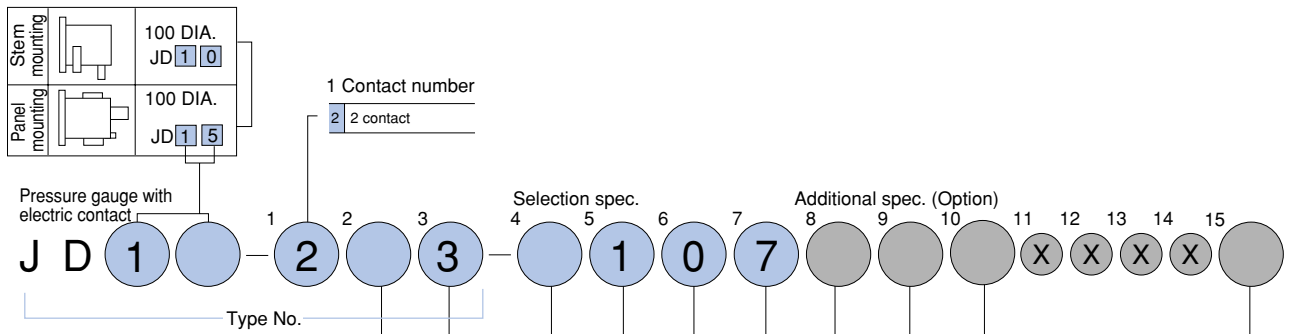


Type No.	d	h	f
JD15-233	G3/8B	29	18
JD15-243	G1/2B	31	20

# Type No. constitution

Please specify Type No., each specification and range, when ordering.

Note: For this Model, there is no applicable item for the figures X, but please specify X when ordering.



## 2 Connection

- 3 G3/8B
- 4 G1/2B
- G R3/8
- H R1/2
- L 3/8NPT
- M 1/2NPT

## 3 Wetted parts material

- 3 Socket: SCS14, Bourdon tube: 316st.st.  
Pressure sensor: Co-Ni alloy

## 4 Pressure range

(When ordering, please specify pressure range & unit.)

- 1 -0.1 ~ 0.1, 0.2, 0.3, 0.4, 0.6, 1, 1.5, 2 MPa
- 2 0 ~ 0.2, 0.3, 0.4, 0.6, 1, 1.5, 2, 2.5, 3.5 MPa
- 3 0 ~ 5, 7, 10 MPa
- 4 0 ~ 15, 25, 35 MPa
- 5 0 ~ 50 MPa

## 5 Power supply voltage

- 1 24V DC ±10%

## 6 Comparator output

- 0 Relay contact X2 output  
(AC/DC combined use 100V 0.1A)

## 7 Outlet for electric wire

- 7 Gland JIS 20b

## 8 Analog output

- 0 Nil
- 1 4 ~ 20mA DC
- 8 1 ~ 5V DC

## 9 Treatment

- 0 Nil
- 1 Use no oil
- 2 Use no water
- 3 Use no oil & water

## 10 Other additional spec.

- 0 Nil
- 1 Please specify your requirement  
Mounting bracket for JD10

## 15 Document

- 0 Nil
- 1 Please specify your requirement  
Drawing one sheet, Instruction manual,  
Inspection procedure, Mill sheet,  
Test report