



Pressure Gauges with Electric Contact (Contact Switch Type)

OUTLINE

This is a pressure gauge with an electric contact in which an open type, low contact switch is built in. This pressure switch is mainly applied to warning like a buzzer, lamp flickering, etc.

FEATURES

- In the case where pressure indication at job site is required, this pressure gauge is appropriate.
- As one element is used both for indication and contact, this pressure gauge is comparatively small in size and light in weight.
- Although the indication graduations and the setting graduations are the separate ones, setting at any position is possible through the whole range.
- The angle of the setting graduations is large, making the difference between open and close smaller and setting work easier.
- High melting point platinum-osmium alloy is used to the contacting tip in the setting mechanism.

* In case of selecting pressure gauge, choose the pressure range which can be used in between 30 ~ 65% of full scale, so that the gauge can give its full capacity.

SPECIFICATION 1

Fluid:

Gas or liquid (Bourdon tube type only)

Operating condition:

Under the normal condition, where there is no inflammable gas or liquid which cause the ignition or explosion.

Mounting:

Stem.....  Type B (Mounting hole)

Panel.....  Type D (Mounting clamp-mounting hole)

Pressure element:

Bourdon tube or bellows (30kPa or less only)

Size:

100 DIA. (Model:JC11·16), 150 DIA. (Model:JC13·18·21·26), 200 DIA. (Model:JC31·36·41·46)

Connection:

G3/8B(PF), G1/2B(PF)

* Except above connection, joint is provided.

Wetted parts material:

General use

Socket YBsC3

Bourdon tube Copper-alloy (C6872T)

Bellows Phosphor bronze (C5212R)

* Applicable up to 35MPa range

Corrosion-proof use

Socket 316st.st. or SCS14

Bourdon tube 316st.st. Bellows 316Lst.st.

Pressure range:

20~100kPa (Receiver) (0.2~1kgf/cm²)

0~1.5kPa → 0~70MPa (0~150mmHg → 0~700kgf/cm²)

-0.1~0 → -0.1~2MPa (76cmHg~0 → 76cmHg~20kgf/cm²)

* Element is bellows for the range 0~30 kPa or less.

Operating temperature:

-5 ~ 40°C (But fluid should not be frozen)

Indication accuracy:

±1.5%F.S. (±0.75%F.S. as receiver)

Setting accuracy:

±2%F.S.

Repeatability:

1%F.S. or less

Dead band:

2%F.S. or less

DC Load 5%F.S. or less

Switch:

Contact switch (Open type low contact switch)

Number of contact:

One contact or two contact

* Should be used as "Normally open".

Setting system:

Internal adjustment

Outlet for electric wire:

Gland JIS 20b (4P receptacle)

But 100 DIA. is 2P metal receptacle

Case material-finishing:

Aluminium alloy casting (AC7A)·Black

(JC11 Aluminium alloy die casting)

Construction:

Drip-proof type II (IP32)

Weight:

Approx. 0.8kg ~ Approx. 3.2kg

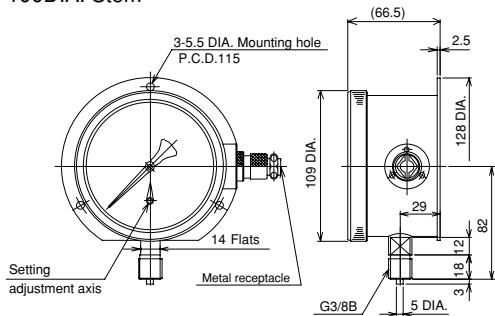
SPECIFICATION 2

Electric characteristics:

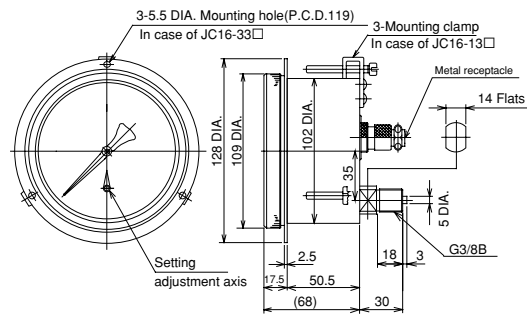
| Rating | Withstand voltage | Insulation resistance |
|--|--|---|
| 100V AC 0.5A 100V DC 0.05A (Load resistance) | 1000V AC Between terminal and case 1minute | 500V DC 100MΩ over Between terminal and case |

DIMENSIONS

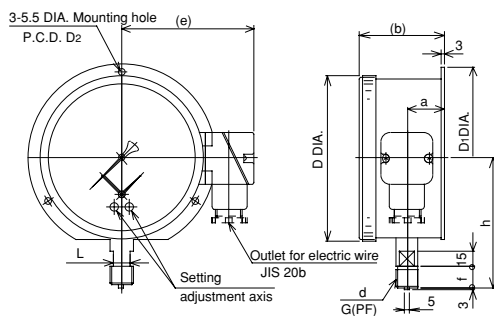
100DIA. Stem



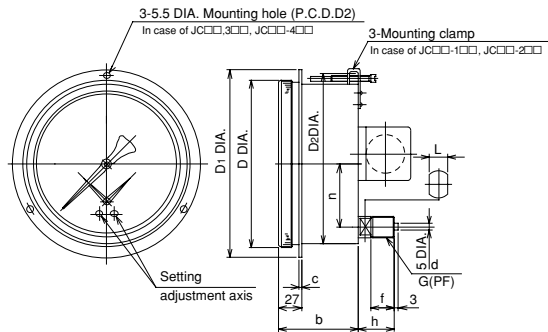
100 DIA. Panel



150-200 DIA. Stem



150-200 DIA. Panel

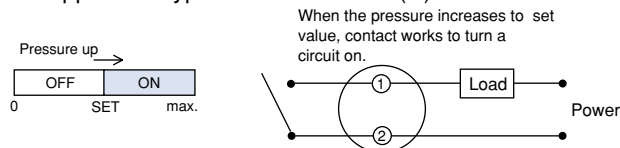


| Type No. | Connection _d | D | D ₁ | D ₂ | a | b | h | e | L | f |
|-----------|-------------------------|-----|----------------|----------------|----|------|-----|-----|----|----|
| JC13-□□□□ | G3/8B | 159 | 178 | 165 | 36 | 82.5 | 123 | 129 | 14 | 18 |
| JC21-□□□□ | G1/2B | | | | | | 125 | | 17 | 20 |
| JC31-□□□□ | G3/8B | 210 | 235 | 220 | 84 | 132 | 150 | 150 | 14 | 18 |
| | G1/2B | | | | | | 152 | | 17 | 20 |
| JC41-□□□□ | G3/8B | 210 | 235 | 220 | 70 | 140 | 150 | 150 | 14 | 18 |
| | G1/2B | | | | | | 152 | | 17 | 20 |

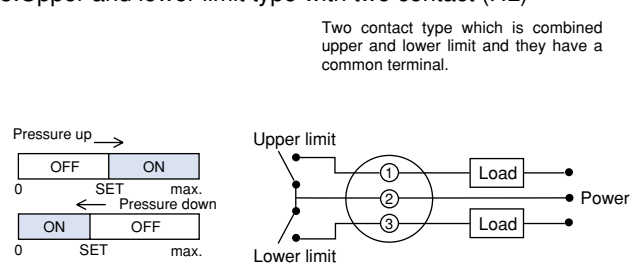
| Type No. | Connection _d | D | D ₁ | D ₂ | D ₃ | b | h | c | n | L | f |
|-----------|-------------------------|-----|----------------|----------------|----------------|------|-----|----|----|----|----|
| JC18-□□□□ | G3/8B | 159 | 178 | 169 | 152 | 77.5 | 2.5 | 30 | 60 | 14 | 18 |
| JC26-□□□□ | G1/2B | | | | | | | 32 | | 17 | 20 |
| JC36-□□□□ | G3/8B | 210 | 235 | 220 | 203 | 115 | 3 | 30 | 70 | 14 | 18 |
| | G1/2B | | | | | | | 32 | | 17 | 20 |
| JC46-□□□□ | G3/8B | 210 | 235 | 220 | 203 | 139 | 3 | 33 | 70 | 14 | 18 |
| | G1/2B | | | | | | | 35 | | 17 | 20 |

TYPE OF CONTACT AND WIRING SYSTEM

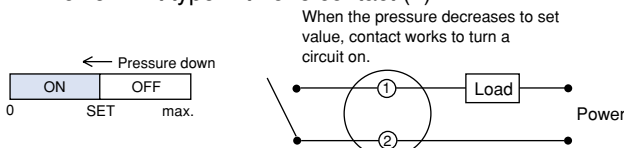
1. Upper limit type with one contact (H)



3. Upper and lower limit type with two contact (HL)



2. Lower limit type with one contact (L)



Type No. constitution

Please specify Type No., each specification and range when ordering.

Note: For this Model, there is no applicable item for the figures X, but please specify X when ordering.

