



Ordinary Pressure Gauges (Silver M)

OUTLINE

This is a reasonable-priced, general-purpose pressure gauge, manufactured in accordance with JIS B 7505 Bourdon tube Pressure Gauge Standard, and is applicable to air pressure, hydraulic pressure and other general pressure measuring.

FEATURES

- This is a pressure gauge in accordance with the JIS Standard, demonstrating the stability of quality and performance.
- A galvanized iron steel with self-corrosion resistance is used to the case, demonstrating excellent corrosion resistance.
- The exterior frame is fixed with screws. Easy maintenance work and marking by detaching it are assured.

* In case of selecting pressure gauge, choose the pressure range which can be used in between 30 ~ 65% of full scale, so that the gauge can give its full capacity.

* Also should be confirmed whether the wetted parts material is suit able for the fluid or not.

SPECIFICATION

Fluid:

Gas or liquid

Size:

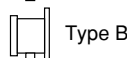
60 DIA., 75 DIA., 100 DIA.

Mounting:

Stem.....

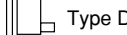


Type A



Type B

Panel.....



Type D

(mounting hole, the outside flange center socket, outside flange eccentricity socket)

Connection:

G1/4B(PF), G3/8B(PF), R1/4(PT),
R3/8(PT), R1/2(PT), 1/2NPT

Wetted parts material:

Bourdon tube Copper alloy (C6872T) (5MPa range over is 316st.st.)
Socket Copper alloy (C3604BD) (Type D of 75 DIA., 100 DIA. is YBsC3)

Pressure range:

0 ~ 0.1 → 0 ~ 50MPa (0 ~ 1 → 0 ~ 500kgf/cm²)
-0.1 ~ 0 → -0.1 ~ 2MPa
(76cmHg ~ 0kgf/cm² → 76cmHg ~ 20kgf/cm²)

Operating temperature:

-5 ~ 40°C

Accuracy:

±1.5%F.S.

Window:

10MPa (100kgf/cm²) Range less than FInorganic glass
10MPa (100kgf/cm²) Range over:Acrylic glass

Blowout disk:

When an emergency, Bourdon tube exploded, it open up internal pressure from blowout disk, and blowout disk prevents puncture of Window.

Note To keep normal function ,please take a space behind of gauge at least 10mm when installing. Don't process or stop up the blowout disk.

Range less than 10MPa (100kgf/cm²): Without blowout disk
Range 10MPa (100kgf/cm²)or over: With blowout disk

Function:

Standard, vibration-proof type (V)

* Division of application is based on with JISB7505 Bourdon gauge.

Case material · finishing:

Case Electricity galvanizing sheet-steel (SECC) · Black (GS58, 59 is colored clo-mates)

Cover 430st.st. (Spec with chrome plating for GS55~GS59)

Treatment: (Option)

Use no oil & water

Throttle: (Option)

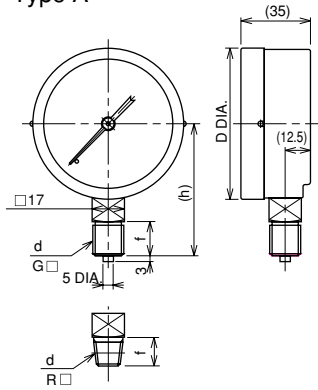
For reducing pulsating pressure, throttle is put on the inlet port.
Type No.: FS10-011

Dial scale specified: (Option)

Red line, Colored circle, Customer's logo

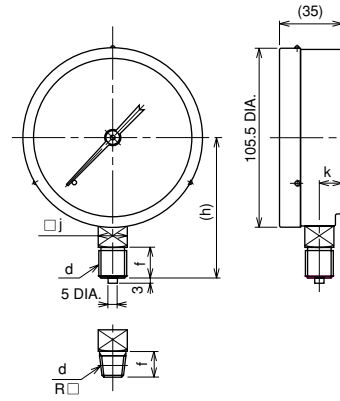
DIMENSIONS 1

Stem Type A



GS50-1□1
GS51-1□1

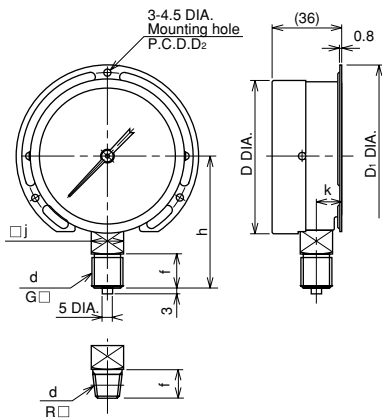
Size	d	D	f	h	Type No.
60	G1/4B	65	16	58	GS50-121
	R1/4	65	16	58	GS50-171
75	G1/4B	80.5	16	68	GS51-121
	G3/8B	80.5	18	70	GS51-131
	R3/8	80.5	18	70	GS51-181



GS52-1□1

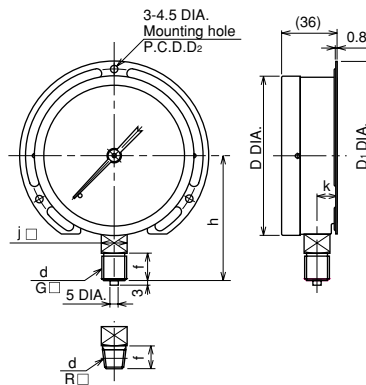
Size	d	f	h	j	k	Type No.
100	G3/8B	18	82	17	12.5	GS52-131
	G1/2B	20	88	22	15	GS52-141
	R3/8	18	82	17	12.5	GS52-181
	R1/2	20	88	22	12.5	GS52-191
	1/2NPT	20	88	22	15	GS52-1M1

Stem Type B



GS50-2□1

Size	d	D ₁	D	f	h	j	k	D ₂	Type No.
60	G1/4B	80	65	16	58	17	13.5	72	GS50-221
	R1/4	80	65	16	58	17	13.5	72	GS50-271
75	G1/4B	98	80.5	16	68	17	13.5	88	GS51-221
	G3/8B	98	80.5	18	70	17	13.5	88	GS51-231
	R3/8	98	80.5	18	70	17	13.5	88	GS51-281
100	G3/8B	128	105.5	18	82	17	13.5	115	GS52-231
	G1/2B	128	105.5	20	88	22	16	115	GS52-241
	R3/8	128	105.5	18	82	17	13.5	115	GS52-281
	R1/2	128	105.5	20	88	22	13.5	115	GS52-291
	1/2NPT	128	105.5	20	88	22	16	115	GS52-2M1

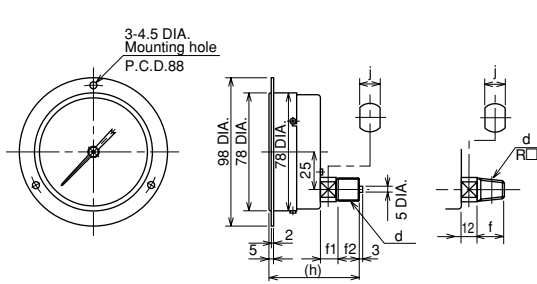


GS51-2□1
GS52-2□1

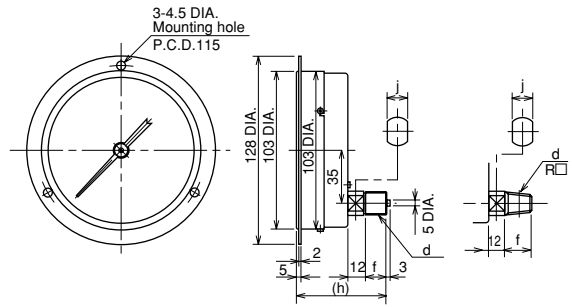
DIMENSIONS 2

Panel Type D

75 DIA., 100 DIA.



GS56-2□1

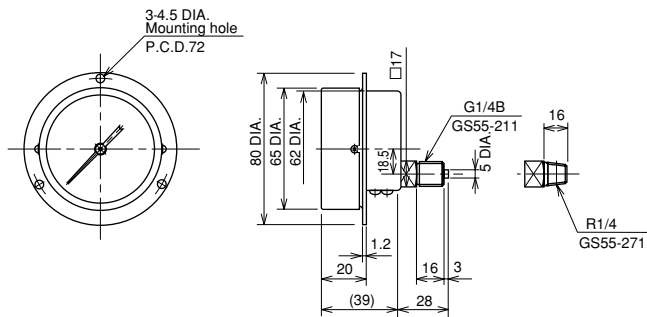


GS57-2□1

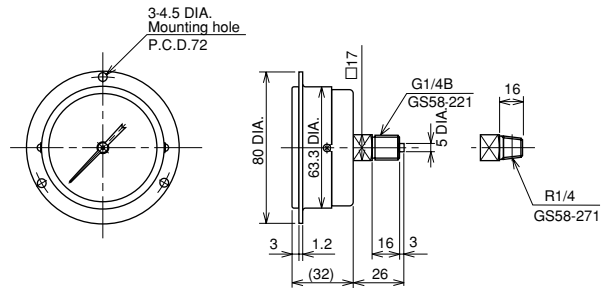
Size	d	f1	f2	h	j	Type No.
75	G1/4B	10	16	63.5	12	GS56-221
	G3/8B	12	18	65.5	14	GS56-231
	R3/8	12	18	65.5	14	GS56-281

Size	d	f	h	j	Type No.
100	G3/8B	18	66.5	14	GS57-231
	G1/2B	20	68.5	17	GS57-241
	R3/8	18	66.5	14	GS57-281
	R1/2	20	68.5	17	GS57-291
	1/2NPT	20	68.5	17	GS57-2M1

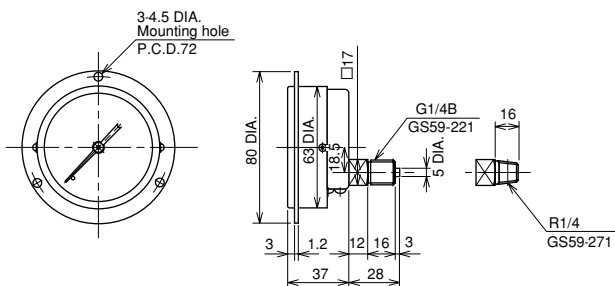
60 DIA.



GS55-221
GS55-271

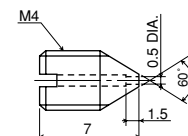


GS58-221
GS58-271



GS59-221
GS59-271

Throttle



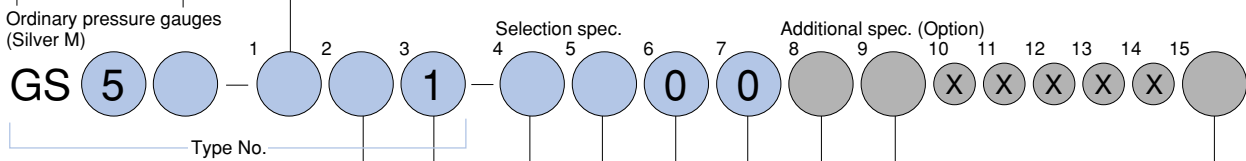
FS10-011
Material: Copper alloy
(C3604BD)

Type No. constitution

Please specify Type No., each specification and range, when ordering.

Note: For this Model, there is no applicable item for the figures X, but please specify X when ordering.

Size	Model	1	2	3	4	5	6	7	8	9	10	11	12	13	14	15
60 DIA.	G S 5 0	1	2													
	G S 5 5	2	2													
	G S 5 8	2	2													
	G S 5 9	2	2													
75 DIA.	G S 5 1	1	2													
	G S 5 6	2	2													
100 DIA.	G S 5 2	1	2													
	G S 5 7	2	2													



2 Connection

Possible or not	GS50-55 GS58-59	GS51-56	GS52-57
2	G1/4B	○	○
3	G3/8B	—	○
4	G1/2B	—	○
7	R1/4	○	—
8	R3/8	—	○
9	R1/2	—	○
M	1/2NPT	—	○

3 Wetted parts material

- 1 Bourdon tube:C6872T
(5MPa range over is 316st.st.)
Socket:C3604BD
(75 DIA., type D of 100 DIA. is YBsC3)

4 Pressure range(MPa)

(When ordering, please specify pressure range & unit.)

	Possible or not	60 DIA.	75 DIA.	100 DIA.
1	-0.1 ~ 0, 0.1, 0.2, 0.3, 0.4, 0.6, 1, 1.5, 2	○	○	○
2	0 ~ 0.1, 0.2, 0.3, 0.4, 0.6, 1, 1.5, 2, 2.5, 3.5	○	○	○
3	0 ~ 5, 7	○	○	○
4	0 ~ 10, 15	○	○	○
5	0 ~ 25	○	○	○
	0 ~ 35	—	○	○
6	0 ~ 50	—	—	○

5 Function

- 0 Standard
- 3 V: Vibration-proof type

6 Pointer

- 0 Standard type

7 Window

- 0 Inorganic glass(10MPa range less than)
Acrylic glass (10MPa range over)

8 Treatment

- 0 Nil
- 1 Use no oil
- 2 Use no water
- 3 Use no oil & water

9 Other additional spec.

- 0 Nil
- 1 Please specify your requirement
Dial scale specified, throttle option

15 Document

- 0 Nil
- 1 Please specify your requirement
Drawing one sheet, Instruction manual,
Inspection procedure, Mill sheet,
Test report

The contents in the catalogue are subject to change without notice.

NAGANO KEIKI CO., LTD.



UEDA FACTORY (JQA-0794)
MARUKO FACTORY (JQA-0789)

HEAD OFFICE & OVERSEAS : 1-30-4, HIGASHIMAGOME OHTA-KU, TOKYO, JAPAN.
TELEPHONE : 03 (3776) 5328
SALES DEPT FAX : 03 (3776) 5447
TELEX : 2468452 NKSTKY J

OVERSEAS PLANTS
OR AFFILIATES: U.S.A., KOREA, GERMANY
OVERSEAS SALES NETWORK: AUSTRALIA, HONG KONG, INDONESIA,
KOREA, MALAYSIA, PHILIPPINES,
SINGAPORE, TAIWAN, THAILAND, U.S.A.