



Absolute Pressure Gauges

OUTLINE

This is a pressure gauge which measures absolute pressure based on the complete vacuum condition (=absolute pressure) as the zero point whereas usually pressure is measured based on the atmospheric pressure (=gauge pressure) as its zero standard.

FEATURES

- The accuracy, $\pm 2\%$ F.S., is comparatively good for this type of gauge.
- The maximum pressure a gauge manufactured can comply is 0.25 MPa abs. (2000 mmHg abs.), which is recognize considerably high pressure for this type of pressure gauge.
- * When a pressure gauge is selected, check to confirm that the prescribed material of the liquid contacting portion conforms to measuring gas and liquid.

SPECIFICATION

Fluid:

Gas or liquid

Size:

150 DIA.

Mounting:

Stem ****



Type B (Mounting hole)

Panel ****



Type D (Mounting clamp, mounting hole)

Connection:

G3/8B (PF), G1/2B (PF)

* Except above connection, we can provide adaptor.

Wetted parts material:

Bellows 316Lst.st.

Socket 316 st.st.

Pressure range:

0 ~ 15kPa abs. → 0 ~ 0.25MPa abs.

(0 ~ 110 → 0 ~ 1800mmHg abs.)

Accuracy:

$\pm 2\%$ F.S.

Window:

Inorganic glass

Case material • finishing:

Aluminium alloy casting (AC7A) •Black

Treatment: (Option)

Use no oil & water

Switch: (Option)

With contact switch type is also available.

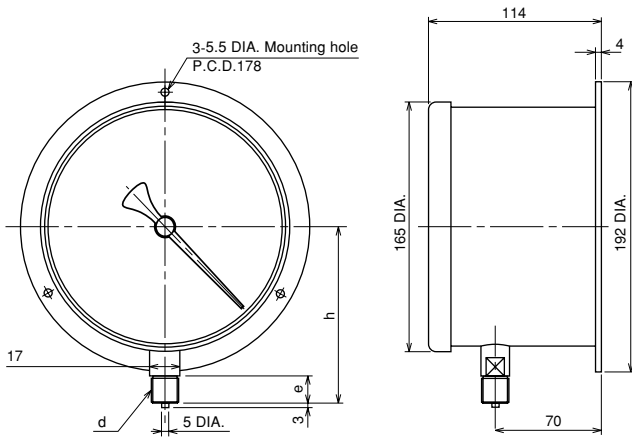
Number of contact is one contact or two contact.

Weight:

Approx. 3.2kgs

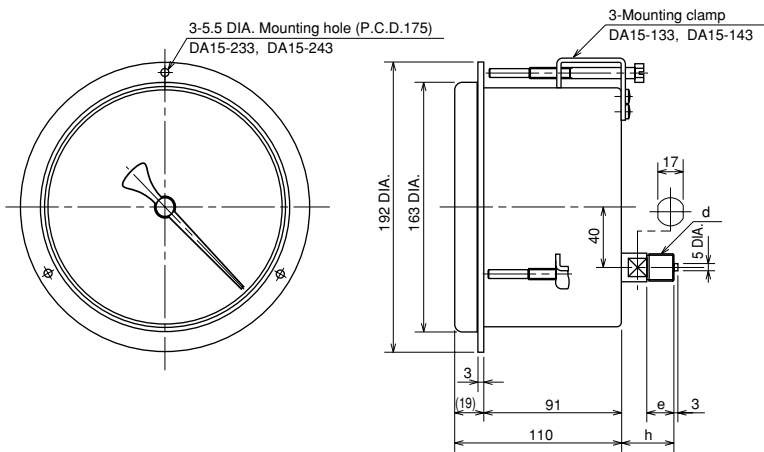
DIMENSIONS

Stem



Type No.	d	h	e
DA10-233	G3/8B	112	18
-243	G1/2B	114	20

Panel



Type No.	d	h	e
DA15-133	G3/8B	32	18
-233			
DA15-143	G1/2B	34	20
-243			

Type No. constitution

Please specify Type No., each specification and range, when ordering.

Note: For this Model, there is no applicable item for the figures X, but please specify X when ordering.

