

PD 27 · 77

Dead Weight Tester



OUTLET

This tester is applied to the inspection and calibration of an oil prohibited pressure gauge, and additionally, is also used for the application of a standard pressure generator of research and manufacture instruments. As this tester is in accordance with the specifications of the standard type dead weight type pressure gauge of the measuring instrument law, the standard instrument inspection based on the measuring instrument law can be taken on request.

FIATURES

- As the piston and cylinder is manufactured by fine machining technology and pure water, less viscosity resistance, is used as a pressure medium, stable and highly sensible measuring is possible.
- The area of the piston has been decreased when compared with a conventional dead weight type pressure gauge and the mass of a dead weight is also decreased (1/4 to 1/2 of oil application dead weight pressure gauge)
- At the time of the calibration of an oil prohibited pressure gauge, a tank siphon is unnecessary.
- Even with a standard pressure gauge, pressure can be measured.
- The pressure gauge attaching port of the instrument stand is of quick joint, so, attaching and detaching of a pressure gauge is easy.

PD27 (Desk top type)

- This is a small, lightweight, easy-to-operate, pressure applying piston type dead weight tester.
- This is a small, lightweight, easy-to-operate, pressure applying piston type dead weight tester.
- The tank for pure water is transparent. So, the confirmation of remaining volume and deterioration can be easily performed.

PD77 (Portable Type)

- The pressurizing pump of this tester is of two-stage piston type. So, this is a dead weight tester which enables simple and rapid pressure measurement at any places of the job site.
- By a fine adjustment valve, the adjustment of minute pressure is possible.
- This tester can be carried with a tank full of pure water.

SPECIFICATION 1

Mounting:

Desk top type (PD27), portable type (PD77)

Use medium:

Pure water

Pressure range:

1, 2, 3, 5, 10, 20 MPa

Accuracy:

±0.2% of Reading

Effective volume:

PD27 Approx. 350 ml

PD77 Approx. 280 ml

Discharged volume (PD77):

At low pressure Approx. 12.5 ml/stroke

At high pressure Approx. 1.5ml/stroke

Finishing:

Light beige

Equipment supplied:

Standard storage box, Spirit level, O-ring (P7 × 10)

Pointer remover, Hammer, Intermediate coupling (G1/4 •

G3/8 PD27 for each 2, PD77 for each 1) Joint for

standard pressure indicator (PD77 only) L type coupling for

sample (PD77only)

Weight:

PD27 Approx. 11kg

PD77 Approx. 9kg

SPECIFICATIONS 2

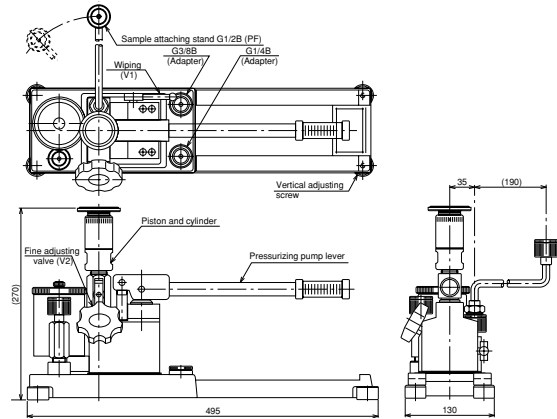
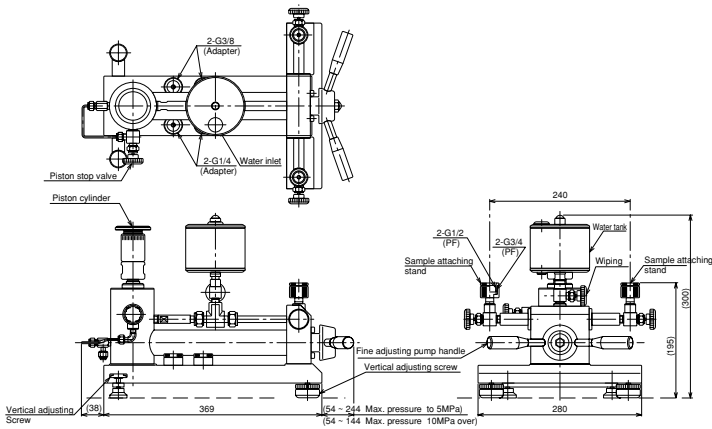
Pressure range MPa			Effective cross section cm ²	Quantity of indication MPa												Total
Max.	Min.	Minium division		Piston			Number of weight									
				0.05	0.1	0.2	0.005	0.01	0.02	0.05	0.1	0.2	0.5	1	2	
1	0.05	0.005	1/4	1	—	—	1	1	2	2	8	—	—	—	—	1.005
2		1		—	—	—	1	2	2	2	8	—	—	—	2	
3		1		—	—	—	1	2	2	2	1	5	—	—	3.1	
5		1		—	—	—	—	—	1	2	1	9	—	—	5	
10	0.1	0.05	1/8	—	1	—	—	—	—	1	2	1	1	9	—	10.05
20				—	1	—	—	—	—	1	2	1	1	3	8	20.05

DIMENSIONS

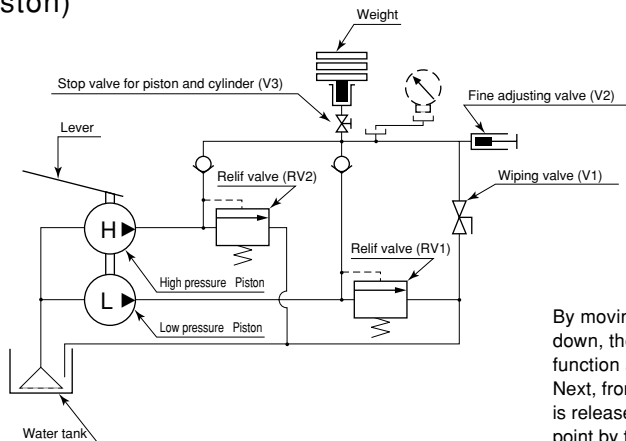
PD27
(Desk top type)



PD77
(Portable type)



PD77 PRESSURE CIRCUIT (Two stage piston)

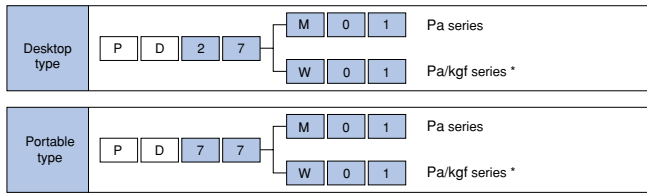


By moving the pressurizing pump lever up and down, the low and high pressure side piston function at the same time, pressurizing at once. Next, from the point where low pressure side piston is released, pressure is increased to the setting point by the high pressure side piston.

Type No. constitution

Please specify Type No., each specification and range, when ordering.

Note: For this Model, there is no applicable item for the figures X, but please specify X when ordering.



* The concurrent models for the Pa series and the kgf series are manufactured until September 30, 1999.

