



Model KH50 • 51 Pressure Transmitters

OUTLINE

This is a pressure transmitter in which the displacement of a Bourdon tube, a pressure sensing portion, is outputted as an inductance variation, converted into a signal in proportion with measured quantity and transmitted.

FEATURES

- This pressure transmitter demonstrates excellent anti-vibration and environment-durable properties.
- This pressure transmitter is small in size and light in weight.
- This pressure transmitter obtained the approval from the Lloyd Standard, NK Approval and NV Approval*¹ and is appropriate for marine application.

* The appropriate model for preventing electromagnetic noise from the outside (LR 1990 version) is provided. Please contact us for it.

KH 50 Pressure transmitter

- This is a low-priced pressure transmitter equipped with a bayonet type stainless steel case. The case construction demonstrates excellent hermetic properties and anti-environment properties due to stainless steel.
- The interior construction is of block type, making maintenance work easier.

SPECIFICATION 1

Fluid:

Gas or liquid

Operating condition:

Under the normal condition, where there is no inflammable gas or liquid which cause the ignition or explosion.

Mounting:

Stem mounting, Surface mounting, 2B pipe mounting

* 1 When required NV approval type, please specify.

Connection:

G3/8B (PF), G1/2B (PF), Rc1/4 (PT female),

Rc1/2 (PT female)

* For other connections, please contact us.

Wetted parts material:

Bourdon tube 316st.st.

Socket KH50 YBsC3

KH51 SCS14

Pipe 316st.st. (In case of KH51)

Pressure range:

0 ~ 0.05 → 0 ~ 70MPa (0 ~ 0.5 → 0 ~ 700kgf/cm²)

-0.1 ~ 0 → -0.1 ~ 2MPa (-1 ~ 0 → 1 ~ 20kgf/cm²)

Max. allowable pressure:

120% of pressure range

KH 51 Pressure transmitter

- The specifications regarding a power source and accuracy can be chosen in accordance with application.
- The front panel of the case is a threaded type cover and can be easily removed, making zero point and span adjustment easier.
- Wetted parts is constructed with stainless steel type material, demonstrating excellent corrosion resistance.

Operating temperature:

0 ~ 60°C

Accuracy:

KH50 ±1.0%F.S.

KH51 ±0.75%F.S., ±1.5%F.S.

Temperature coefficient:

±0.05%F.S./°C TYP. (Zero)

±0.05%F.S./°C TYP. (Span)

Outlet for electric wire:

Conduit type

PF1/2 female, PF 3/4 female

Gland

JIS15a, JIS15b, JIS15C, JIS20a, JIS20b, JIS20c

Case material • finishing:

KH50 304st.st. • The material

KH51 Aluminium alloy die casting (ADC12) • Gray

Construction:

KH50 Jet-proof (IP55)

KH51 Splash-proof (IP54)

Weight:

KH50 Approx. 0.8 kg

KH51 Approx. 1.4 kg

SPECIFICATION 2

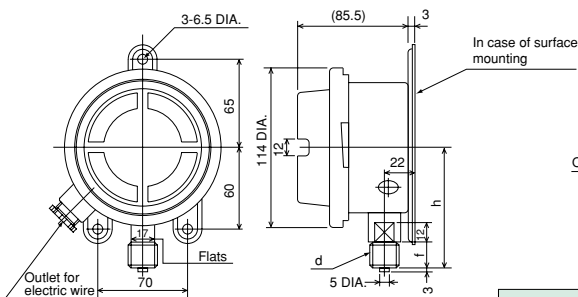
Electric characteristics:

Power source	Output	Load resistance	Transmission system
24V DC±10%	4 ~ 20mA DC	400Ω max.	2 wire system
100V AC±10%	Current output	0 ~ 5mA DC	4 wire system (KH51 only)
		0 ~ 10mA DC	
		0 ~ 20mA DC	
110V AC±10%	4 ~ 20mA DC	500Ω max.	
200V AC±10%	Voltage output	0 ~ 5mV DC	1kΩ min.
220V AC±10%		0 ~ 10V DC	

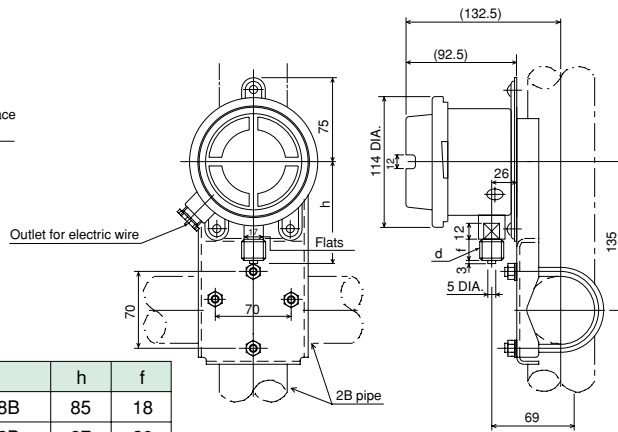
DIMENSIONS

KH50

Stem mounting • Surface mounting



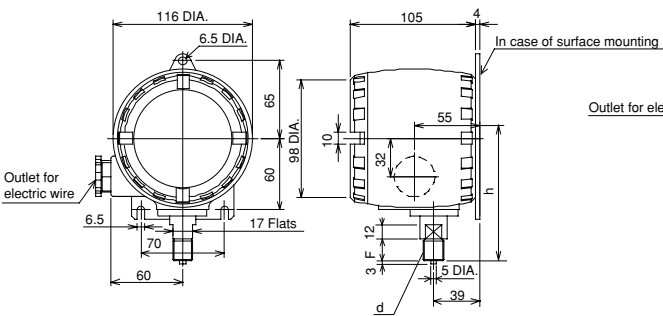
2B pipe mounting



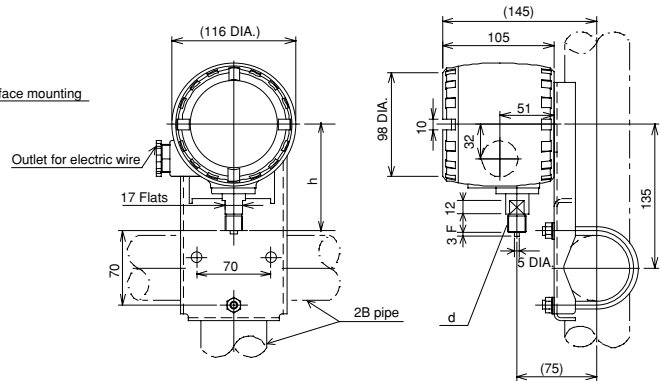
d	h	f
G3/8B	85	18
G1/2B	87	20

KH51

Stem mounting • Surface mounting



2B pipe mounting

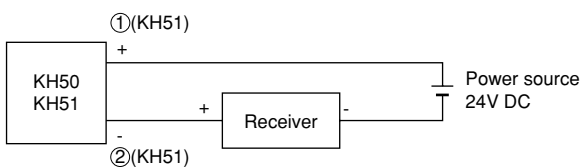


d	F	h
G3/8B	18	102
G1/2B	20	104

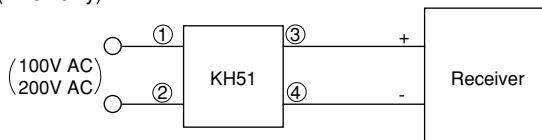
d	g	h
Rc1/4	16	100
Rc1/2	21	105

WIRING

2 wire system



4 wire system (KH51 only)



Type No. constitution

Please specify Type No., each specification and range when ordering.

Note For this Model, there is no applicable item for the figures X, but please specify X when ordering.

