



GC64 DIGITAL PRESSURE GAUGE

OUTLINE

GC64 Battery operated pressure gauge is using CVD strain gauge to its sensing element. As its feature, gas contact area is narrowed when compared with the element with bourdon tube (C-shaped tube) Its ratio is about 1/5.

This gauge is also excellent in with-standing the vibration, shock, so you can apply this gauge widely such as air and liquid.

FEATURES

Case size is 50mm dia.. Its size is identical with mechanical pressure gauges. It replaces with them easily.

Compared with bourdon tube element, the trapping area is less, so it might be adequate to measure the analytical gauges such as dioxine.

The sensor is welded to the gauge fitting, so it has less moving parts while having the durability. Especially the high reliability is performed against the over pressure. With built-in counter measure on battery life expectancy.

- Optional for automated power off.
- With the changeable function on sampling.

MANUFACTURING RANGE

Pressure range:

Range	Indication figures	Accuracy * TC	Allowable Max. pressure
-0.1 ~ 0.5MPa	-.100 ~ .500MPa	± (1.0%F.S. +1digit) (at 23°C) T/C	Twice for each range
-0.1 ~ 1.0MPa	-0.10 ~ 1.00MPa		
-0.1 ~ 2.0MPa	-0.10 ~ 2.00MPa		
0 ~ 0.5MPa	.000 ~ .500MPa		
0 ~ 1.0MPa	0.00 ~ 1.00MPa	±0.1%F.S./°C (Zero/Span)	
0 ~ 2.0MPa	0.00 ~ 2.00MPa		
0 ~ 5.0MPa	0.00 ~ 5.00MPa		
0 ~ 10MPa	0.0 ~ 10.0MPa		
0 ~ 20MPa	0.0 ~ 20.0MPa		

Measuring fluid:

Air or liquid (However it should not corride SUS630 [17-4PH].)

Material:

Gas contact or wetted part: SUS630 [17-4PH] SUS630

Case material: Zinc die-casting, chrom plated

Panel part: Polycarbonate

Battery:

Lithium battery CR2032 (3V 1pce.)

Life time of battery: Continuous operation

About 2500 Hours (Indication cycle 0.5s)

About 5000 Hours (Indication cycle 2.0s)

About 7000 Hours (Indication cycle 10s)

- Automated power off setting possible
- With indication for lowered battery voltage

Indication method:

3 figures LCD digital indication (Letter size 8.5mm)

Indication cycle:

Depending on setting
(Options on 0.5s, 2.0s, 10s)

Anti-environmental performance:

Working temperature range : -10 ~ 50°C (Without deicing)

Working humid range : 35 ~ 85%RH (Without condensation)

Storage temperature range : -20 ~ 60°C

(Without icing up & getting dew)

Anti-vibration, Anti-shock : 10 ~ 55Hz Vibrating 0.75mm • 10G X, Y, Z
each 3 times

Case construction : Indoor application only

Connection:

R1/4 male

Mass weight:

About 150g (Battery inclusive)

Others:

Use no oil, use no water-options

CONSTITUTION OF FUNCTIONS

Indication angle changeable:

When you mount this gauge into the regulator with 4 porting, you can indine 30°angle in right or left directions to get the digital display horizontally. (Look at the photo)

[Setting function]

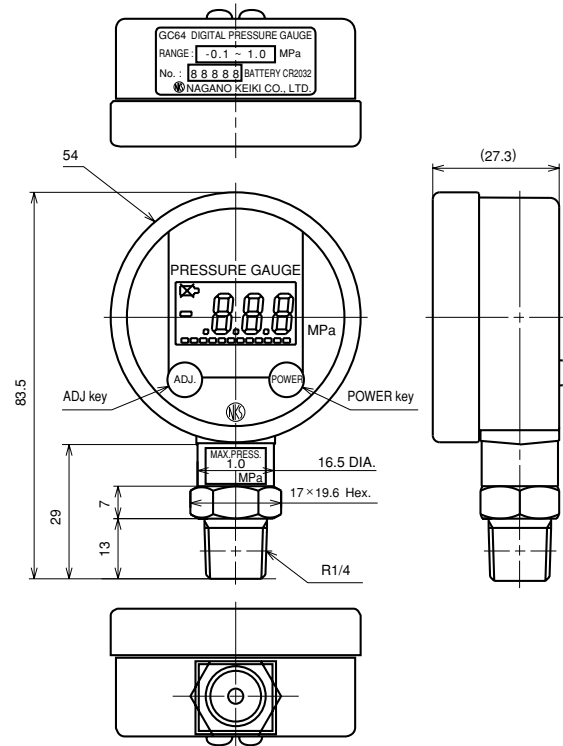
Life time helping function:

- Auto-powered off selecting function
 - * You can select the use of auto-powered off or not.
 - Changeable functions of indication cycle
 - * When you select the cycle times, 2.0s or 1.0s, the most accelated sampling time, 0.5s would be available by operating any keys.
- For pressure adjustment, you can are this function.



Combination example with our company XR57 (reducing valve)

DIMENSIONS



Model No. configuration

Forentering the prder of this model, specify model number, each specification and range as number, each specification and range as follows.

("X" marked parts means "not applicable")

Battery operated digital gauge

Model number: **G C 6 4** - **1** **2** **3** - **4** **5** **6** **7** **8** **9** **10** **11** **12** **13** **14** **15**

Options on specifications: 4, 5, 6, 7, 8, 9, 10, 11, 12, 13, 14, 15

Additional specifications (Options): 15

1 Case size or shape	4 Range	15 Document
1 50mm stem	1 -0.1 ~ 0.5, 1, 2MPa	0 Without
2 50mm stem with use no oil & use no water	2 0 ~ 0.5, 1, 2, 5MPa	1 With-Specify what you need for the following. Drawing, Manual, Inspection manual Standard test peoport, Traceability system diagram, Calibration certificate, Strength calculation sheet
2 Fitting	3 0 ~ 10, 20MPa	
7 R1/4		
3 Wetted part		
3 SUS316, SUS630		

If VCR type or mirror finished surface inside are required, we are now developing the different model as ZT series.

* Specify the pressure range of the sensor without fail.

The contents in the catalogue are subject to change without notice.

NAGANO KEIKI CO., LTD.



UEDA FACTORY (JQA-0794)
MARUKO FACTORY (JQA-0789)

HEAD OFFICE & OVERSEAS : 1-30-4, HIGASHIMAGOME OHTA-KU, TOKYO, JAPAN.
TELEPHONE : 03 (3776) 5328
SALES DEPT FAX : 03 (3776) 5447
TELEX : 2468452 NKSTKY J

OVERSEAS PLANTS
OR AFFILIATES: U.S.A., KOREA, GERMANY
OVERSEAS SALES NETWORK: AUSTRALIA, HONG KONG, INDONESIA,
KOREA, MALAYSIA, PHILIPPINES,
SINGAPORE, TAIWAN, THAILAND, U.S.A.