

# Model DG55 • 56 • 57 • 58 Differential Pressure Gauges



## OUTLINE

This pressure gauge is for checking the pressure difference between two points (differential pressure) and can be applied not only for checking differential pressure but also for checking liquid level and flow rate. A pressure gauge with contactors is equipped with a contact switch, being able to use for warning and controlling through relays.

## FEATURAS

- The graduation of the differential pressure indicating portion is large, making reading easier.
  - As the low differential pressure and high differential pressure type, this pressure gauge is highly reliable.
  - \* The base pressure refers to the pressure to be used as the basis out of pressures at two points, or a pressure with smaller fluctuation.
- One-sided pressure tight means the maximum differential pressure.

## SPECIFICATION 1

### Model:

- DG55 • 57 Differential pressure gauge  
DG56 • 58 Differential pressure gauge with electric contacts

### Fluid :

Gas or liquid (DG57 • 58), Gas (DG55 • 56)

### Operating condition:

In case of DG56 • 58, Under the normal condition, where there is no inflammable gas and liquid which cause the ignition or explosion.

### Installation system:

Panel installation

### Size:

200 DIA.

### Connection:

G3/8B (PF), G1/2B (PF), 1/2NPT

### Wetted parts material:

#### General use

DG55 • 56	Bellows	C5212R	Gasket	NBR
	Body	C3604BD	Spring	304 st.st.
DG57 • 58	Bellows	316L st.st.	Gasket	NBR
	Body	316 st.st.	Spring	304 st.st.
		SS400		

#### Corrosion-proof use

Bellows	316L st.st.	Gasket	NBR
Body	316 st.st.	Spring	304 st.st.

### Differential pressure range:

DG55 • 56	0 ~ 15 → 0 ~ 50kPa (0 ~ 1500mmH <sub>2</sub> O → 0 ~ 0.5kgf/cm <sup>2</sup> )
DG57 • 58	0 ~ 100kPa → 0 ~ 1MPa (0 ~ 1 → 0 ~ 10kgf/cm <sup>2</sup> )

### Base pressure:

DG55 • 56	0 ~ 3MPa (0 ~ 30kgf/cm <sup>2</sup> )
DG57 • 58	0 ~ 8MPa (0 ~ 80kgf/cm <sup>2</sup> )

### One side pressure tight:

DG55 • 56	3MPa (30kgf/cm <sup>2</sup> )
DG57 • 58	8MPa (80kgf/cm <sup>2</sup> )

### Indication accuracy:

±2% F.S.  
(DG55 • 56 Below 30kPa is ±3%F.S.)

### Case material • finishing:

AC7A • Black

### Valve-manifold: (Option)

Three-way valve manifold which combined the stop valve for high and low pressure and stop valve.this valve manifold is suitable for checking zero point or zero adjustment during operation and also available to prevent excess differential pressure or reversal differential pressure.

Type No. : FV43-991, FV43-993

### Dial scale specified: (Option)

Printed words,colored circle,customer's logo

### Weight:

Approx. 11 kg ~ Approx. 17.9 kg

## SPECIFICATION 2

Minimum graduation:

Differential pressure range	Minimum graduation	
0 ~ 15kPa (0 ~ 1500mmHzO)	0.5kPa (50mmHzO)	
0 ~ 20 (0 ~ 2000)	0.5 (50)	
0 ~ 30 (0 ~ 3000)	1 (100)	DG55
0 ~ 40 (0 ~ 4000)	1 (100)	DG56
0 ~ 50 (0 ~ 0.5kgf/cm <sup>2</sup> )	1 (0.01kgf/cm <sup>2</sup> )	
0 ~ 100 (0 ~ 1)	2 (0.02)	
0 ~ 200 (0 ~ 2)	5 (0.05)	
0 ~ 300 (0 ~ 3)	10 (0.1)	DG57
0 ~ 400 (0 ~ 4)	10 (0.1)	DG58
0 ~ 600 (0 ~ 6)	20 (0.2)	
0 ~ 1MPa (0 ~ 10)	20 (0.2)	

Electrical characteristic (DG56 • 58):

Switch	Rating	Withstand voltage	Insulation resistance
Contact switch	100V AC 0.5A	1000V AC Between terminal and case 1 minute	500V DC Over 100MΩ Between terminal and case
	100V DC 0.05A (Resistance load)		
Summary			
Contact switch is mainly used as warning by buzzer or on and off of lamp, but ON/OFF control of large volume is also available with relay.			

## DG56 • 58 DIFFERENTIAL PRESSURE GAUGE WITH ELECTRIC CONTACTS

Setting accuracy:

±2%F.S. (DG56 below 30kPa is±3%F.S.)

Repeatability:

1%F.S.

Dead band:

Fixed. within 2%F.S. (DG56 Below 30kPa is±3%F.S.)

Temperature coefficient:

±0.05%F.S./°C

Switch:

Contact switch (Open low-contact pressure)

Number of contact:

One contact or two contact  
\* Always use it with "open"

Setting system:

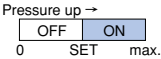
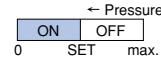
Internal adjustment type

Outlet for electric wire:

Conduit type PF3/4, PF1/2,  
Rc1/2, 1/2NPT  
Gland JIS 20b

## TYPE OF CONTACT POINT AND WIRING SYSTEM

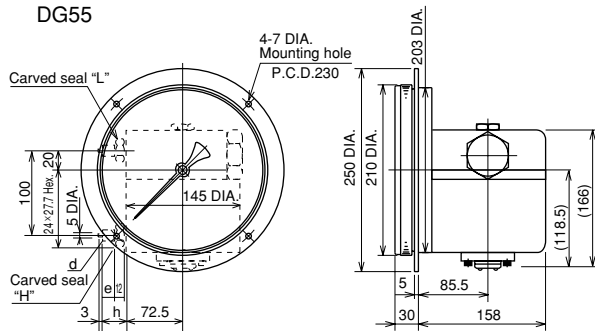
DG56 • 58 Differential pressure gauge with electric contacts

Model	Type of contact point	Mark	A figure of operation system and operation	Connection terminal number	Setting pointer
DG56	Upper limit type with one contact	H	When the differential pressure rises to a set value, contact points work to turn a circuit ON. 	① — ②	Black pointer
	Lower limit type with one contact	L	When the differential pressure decreases to a set value, contact points work to turn a circuit ON. 	① — ②	Black pointer
DG58	Upper and lower limit type with two contact	H L	Being as two contact points type, the upper limit type and the lower one are combined, however, do not function each independently because there have a common pole.	① — ② ② — ③	Black pointer Red pointer

# DIMENSION

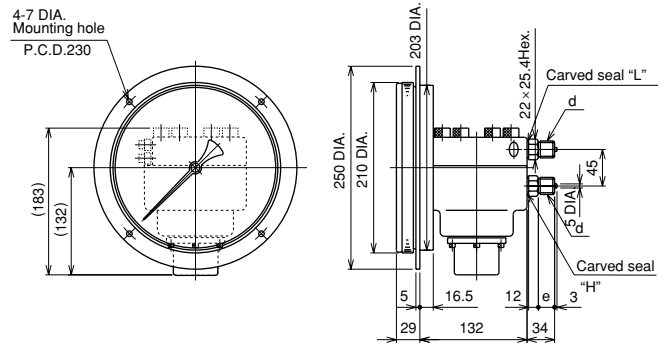
(Unit:mm)

DG55



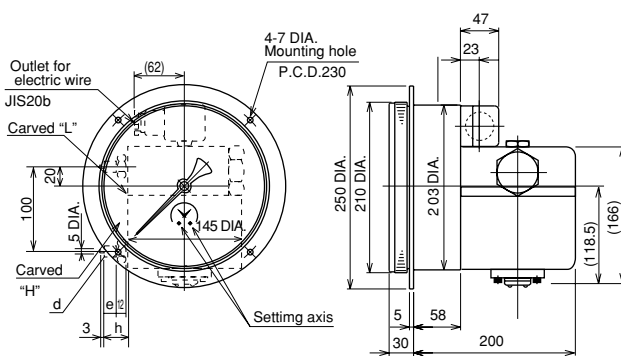
Type No.	d	e	h
DG 55-23 □	G 3/8 B	18	34
-24 □	G 1/2 B	20	36

DG57



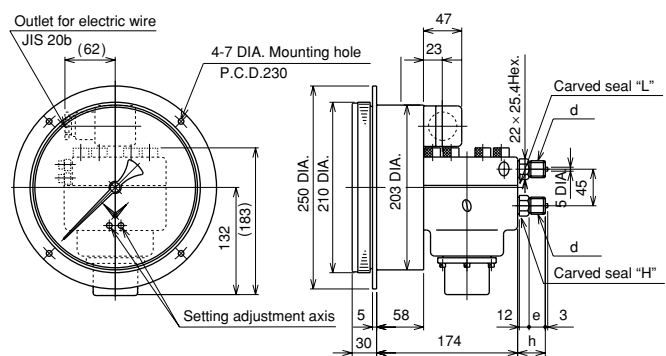
Type No.	d	e	h
DG 57-23 □	G 3/8 B	18	34
-24 □	G 1/2 B	20	36

DG56



Type No.	d	e	h
DG 56-□3 □	G 3/8 B	18	34
-□4 □	G 1/2 B	20	36

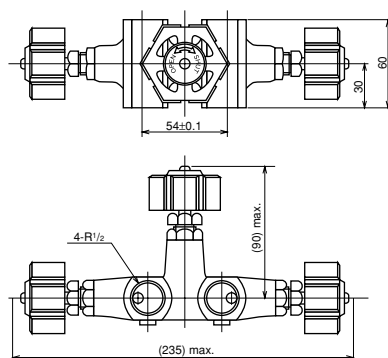
DG58



Type No.	d	e	h
DG 58-□3 □	G 3/8 B	18	32
-□4 □	G 1/2 B	20	34

Valve-manifold: (Option)

Type No. : FV43-99 □

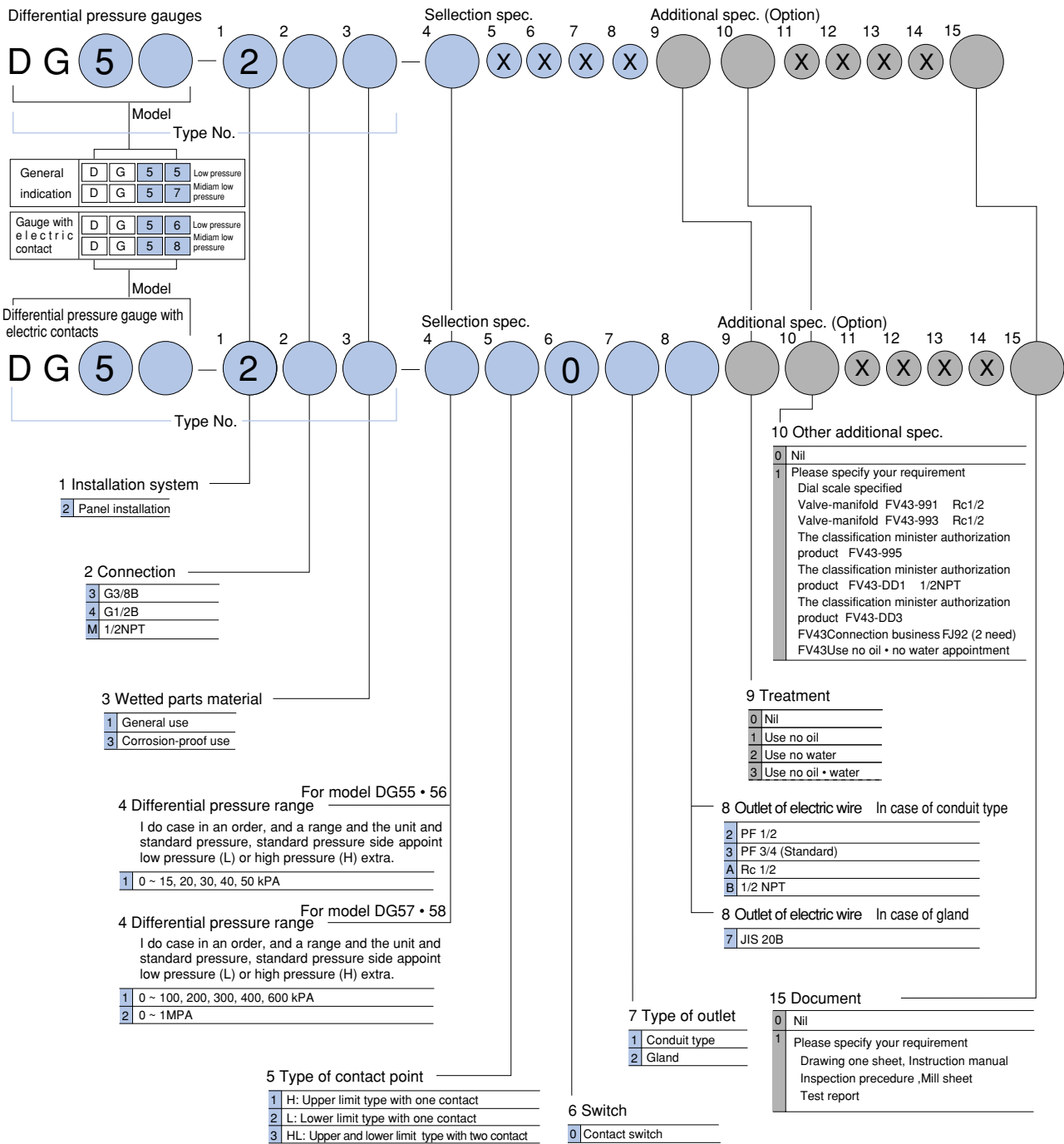


\* As for connection of differential pressure gauge and valve-manifold, FJ92-001 (2 pieces) is necessary.

# Type No. constitution

Please specify Type No., each specification and range, when ordering.

Note: For this Model, there is no applicable item for the figures X, but please specify X when ordering.



The contents in the catalogue are subject to change without notice.

**NK NAGANO KEIKI CO., LTD.**



UEDA FACTORY (JQA-0794)  
MARUKO FACTORY (JQA-0789)

HEAD OFFICE & OVERSEAS : 1-30-4, HIGASHIMAGOME OHTA-KU, TOKYO, JAPAN.  
TELEPHONE : 03 (3776) 5328  
SALES DEPT FAX : 03 (3776) 5447  
TELEX : 2468452 NKSTKY J

OVERSEAS PLANTS OR AFFILIATES: U.S.A., KOREA, GERMANY  
OVERSEAS SALES NETWORK: AUSTRALIA, HONG KONG, INDONESIA, KOREA, MALAYSIA, PHILIPPINES, SINGAPORE, TAIWAN, THAILAND, U.S.A.